



JUMING

30

YEARS WITH YOU

CATALOGUE



Czech products made by traditional and experienced company.

Our products and accessories are made of high quality stainless steel DIN 1.4404 AISI316L. We offer 2 finishings – mirror gloss or matte. **All polished products are hand polished.**

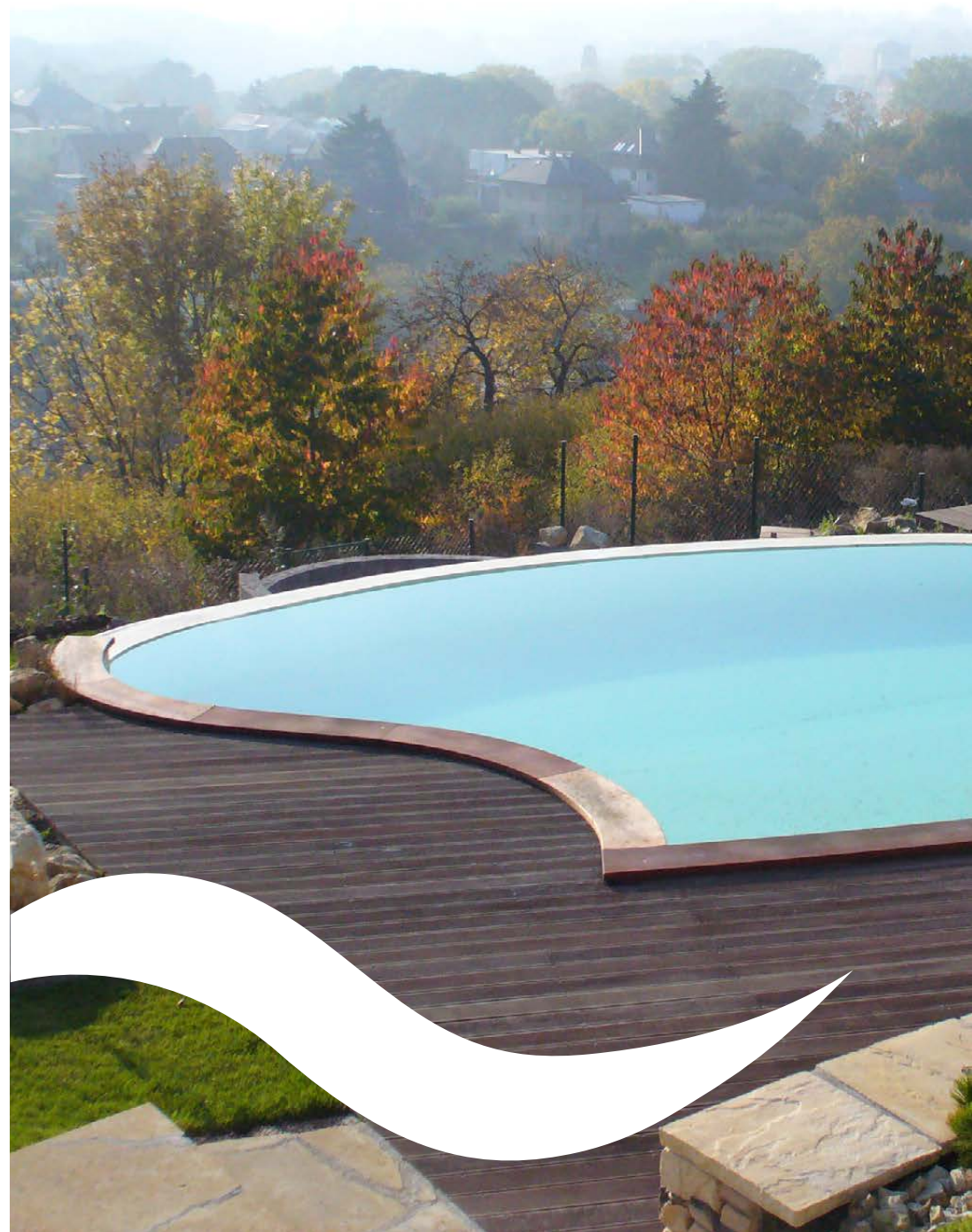
We produce products, accessories and **covering pools:**

Stainless steel reel system providing easy manipulation with the solar cover covering pool surface.

We offer 6 variants of reel systems which are made of polished stainless steel AISI 304, DIN 1.4301. Reel systems also include plastic parts, telescopic pole made of anodized Aluminium.

Variants of reel systems: Fixed - is firmly fixed to the ground with using dowels. Fixed - With adjustable height, Fixed - On the wall, Portable and Mobile (with wheels). Including each reel system is set of accessories for fixing solar cover to the reel system, tape and reel pole

Solar covers - We offer covers for outdoor pools which provide partial heating the pool water using solar energy. We also offer covers for indoor pools which cover the pool and avoid heat loss and evaporation.



Our products

STAINLESS STEEL WATER ATTRACTIONS

CASCADE SHOWERS PROFI	6 - 16
CASCADE SHOWERS HOME	18 - 20
BOTTOM AIR MASSAGE	21
AIR MASSAGE NOZZLES AND MASSAGE NOZZLES	22 - 24
AIR MASSAGE BENCHES	24 - 25
COUNTER CURRENTS	26
PIEZOELECTRIC BUTTONS AND ACCESSORIES	27

STAINLESS STEEL SKIMMERS AND OVERFLOW GUTTERS

SKIMMERS	29 - 30
FRAMES FOR PLASTIC SKIMMERS	30
FLANGES FOR PLASTIC SKIMMERS	31
OVERFLOW AND DRAINAGE GUTTERS	32

STAINLESS STEEL SUCTION, SUCTION NOZZLES, OUTLETS

SUCTION	34
SUCTION NOZZLES	35 - 36
VACUUM POINT NOZZLE	36
MAIN DRAINS	37

GRIDS FOR MAIN DRAINS	38
STAINLESS STEEL INLET NOZZLES WITH BALL	39 - 40
ACCESSORIES FOR NOZZLES	40
POOLWALL LEAD-THROUGH	41

OTHER STAINLESS STEEL PRODUCTS

HANDRAIL	43
STAIRS AND LADDERS	44 - 45
SUMPS FOR HEAT SENSORS	45
EARTHING	46
LIGHTS	47

POOL COVERING REEL SYSTEM

REEL SYSTEM – MANUAL – FOR SOLAR COVER COVERING AREA UP TO 60 M ²	49 - 54
REEL SYSTEM – MANUAL „PLUS“FOR SOLAR COVER COVERING AREA UP TO 120 M ²	55 - 57
ACCESSORIES FOR REEL SYSTEMS	61

POOL COVERING SOLAR COVERS GEO BUBBLE

SOLAR COVER 400 mic	59
SOLAR COVER 500 mic	59 - 60
ACCESSORIES FOR SOLAR COVERS	61





STAINLESS STEEL WATER ATTRACTIONS

STAINLESS STEEL **CASCADE SHOWERS PROFI**

STAINLESS STEEL **CASCADE SHOWERS HOME**

BOTTOM AIR MASSAGE

AIR MASSAGE NOZZLES

MASSAGE NOZZLES

AIR MASSAGE BENCHES

COUNTER CURRENTS

PIEZOELECTRIC BUTTONS AND ACCESSORIES

CASCADE SHOWER „SNAKE“ PROFI



Code

B37-0053 | stainless steel DIN 1.4404, AISI 316L, surface finish - MATTE

B37-0054 | stainless steel DIN 1.4404, AISI 316L, surface finish - POLISHED

DIMENSIONS: 690 x 500 x 675 mm
(height x width x depth)

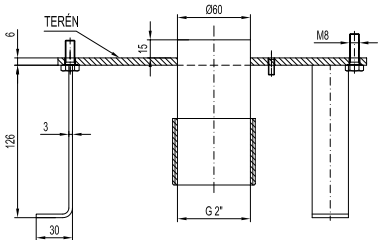
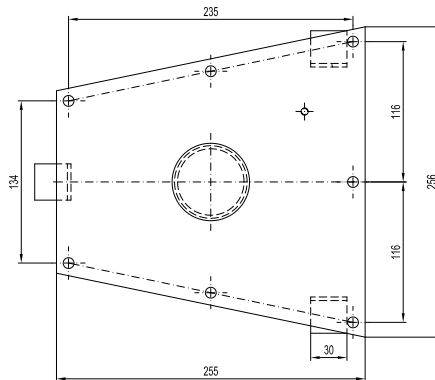
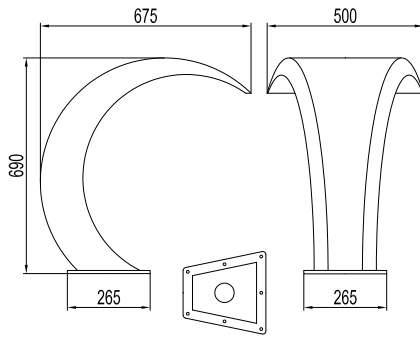
WEIGHT: 30 kg

Cascade shower is supplied with these accessories: anchoring to the concrete, gasket, connection elements.

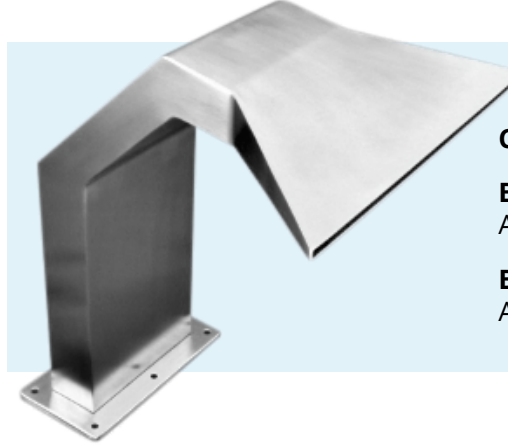
Hand polished = high gloss quality

CONNECTION: inner thread G 2"

PUMP PERFORMANCE: 30 - 50 m³ /h



CASCADE SHOWER „ARIES“ PROFI



Code

B37-0033 | stainless steel DIN 1.4404, AISI 316L, surface finish - MATTE

B37-0034 | stainless steel DIN 1.4404, AISI 316L, surface finish - POLISHED

DIMENSIONS: 510 x 420 x 400 mm
(height x width x depth)

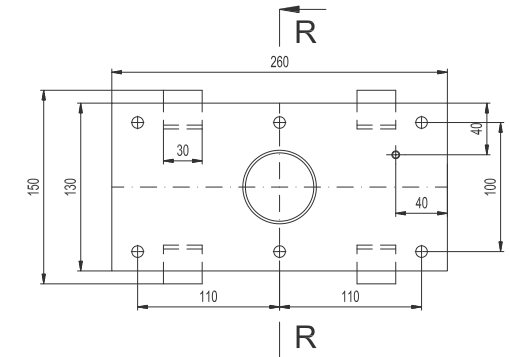
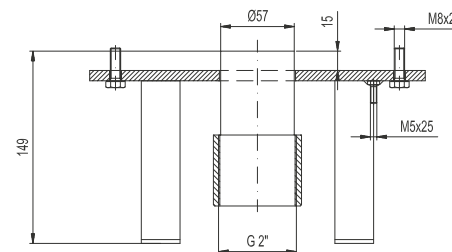
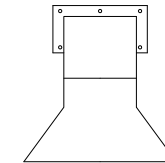
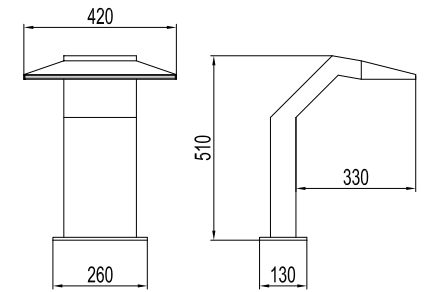
WEIGHT: 23 kg

Cascade shower is supplied with these accessories: anchoring to the concrete, gasket, connection elements.

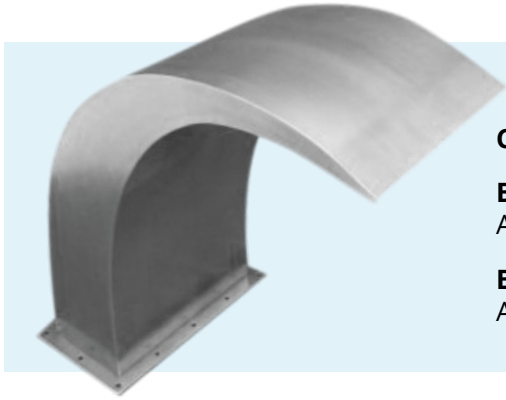
Hand polished = high gloss quality

CONNECTION: inner thread G 2"

PUMP PERFORMANCE: 30 m³ /h



CASCADE SHOWER „PISCES“ PROFI



Code

B37-0043 | stainless steel DIN 1.4404, AISI 316L, surface finish - MATTE

B37-0044 | stainless steel DIN 1.4404, AISI 316L, surface finish - POLISHED

DIMENSIONS: 535 x 347 x 695 mm
(height x width x depth)

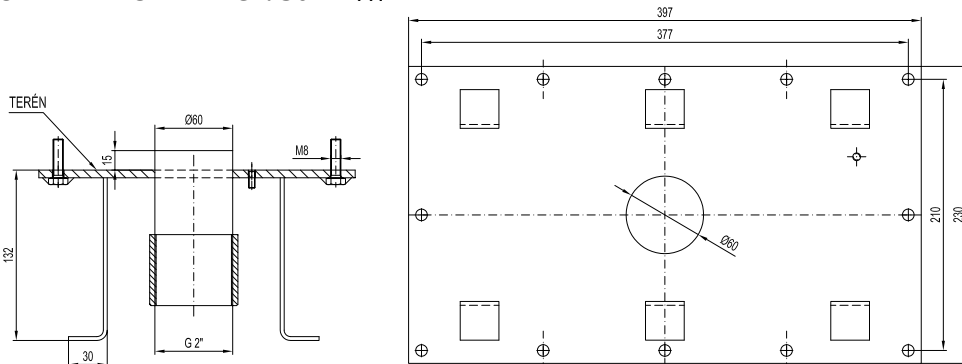
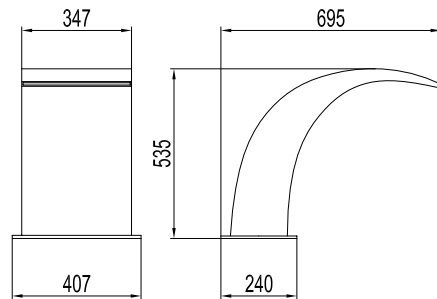
WEIGHT: 28 kg

Cascade shower is supplied with these accessories: anchoring to the concrete, gasket, connection elements.

Hand polished = high gloss quality

CONNECTION: inner thread G 2"

PUMP PERFORMANCE: 30 m³ /h



CASCADE SHOWER „TAURUS“ PROFI



Code

B37-0063 | stainless steel DIN 1.4404, AISI 316L, surface finish - MATTE

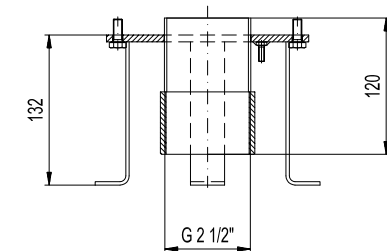
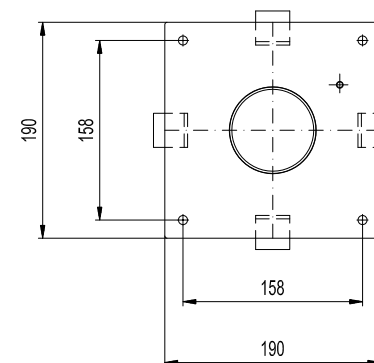
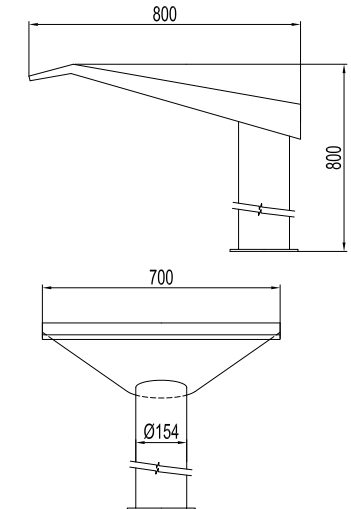
DIMENSIONS: 800 x 700 x 800 mm
(height x width x depth)

WEIGHT: 60 kg

Cascade shower is supplied with these accessories: anchoring to the concrete, gasket, connection elements.

CONNECTION: inner thread G 2,5"

PUMP PERFORMANCE: 50 m³ /h



CASCADE SHOWER „LEO“ PROFI

CASCADE SHOWER „GEMINI“ PROFI



Code

B37-0073 | stainless steel DIN 1.4404, AISI 316L, surface finish - MATTE



Code

B37-0083 | stainless steel DIN 1.4404, AISI 316L, surface finish - MATTE

B37-0084 | stainless steel DIN 1.4404, AISI 316L, surface finish - POLISHED

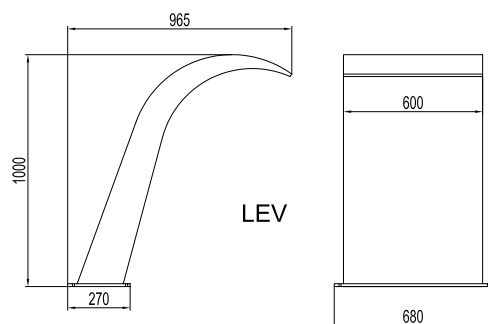
DIMENSIONS: 1000 x 600 x 965 mm
(height x width x depth)

WEIGHT: 120 kg

Cascade shower is supplied with these accessories: anchoring to the concrete, gasket, connection elements.

CONNECTION: inner thread G 2,5"

PUMP PERFORMANCE: 50 m³ /h



DIMENSIONS: 353 x 400 x 300 mm
(height x width x depth)

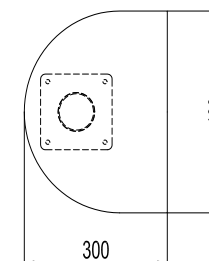
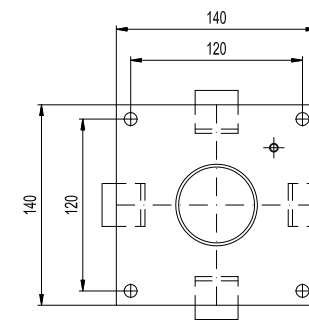
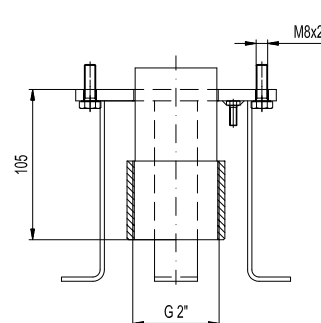
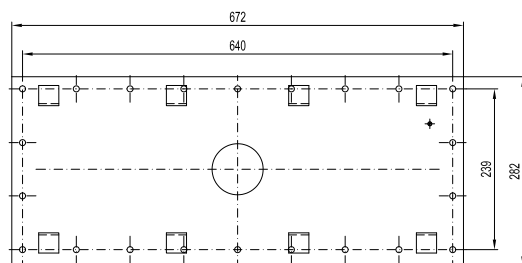
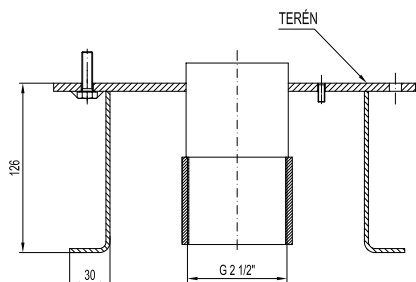
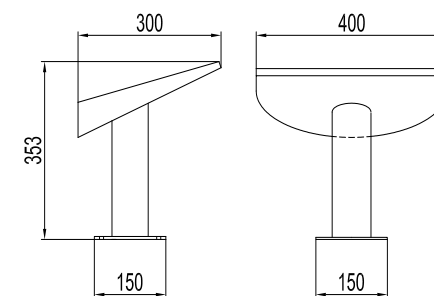
WEIGHT: 15 kg

Cascade shower is supplied with these accessories: anchoring to the concrete, gasket, connection elements.

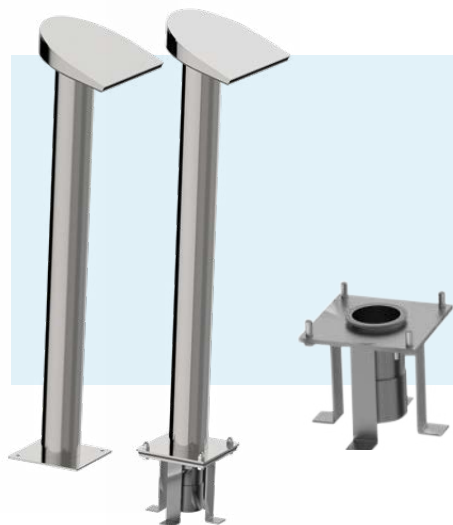
Hand polished = high gloss quality

CONNECTION: inner thread G 2"

PUMP PERFORMANCE: 30 m³ /h



CASCADE SHOWER „LIBRA“ PROFI



Code

B37-0003 | stainless steel DIN 1.4404, AISI 316L, surface finish - MATTE

B37-0004 | stainless steel DIN 1.4404, AISI 316L, surface finish - POLISHED

DIMENSIONS: 855 x 250 x 150 mm
(height x width x depth)

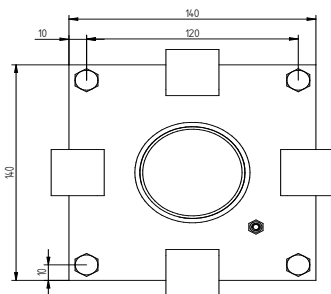
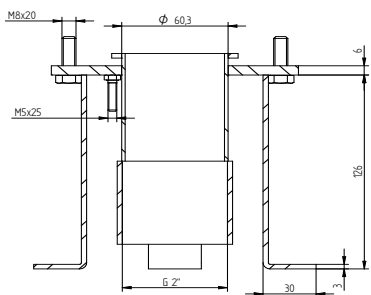
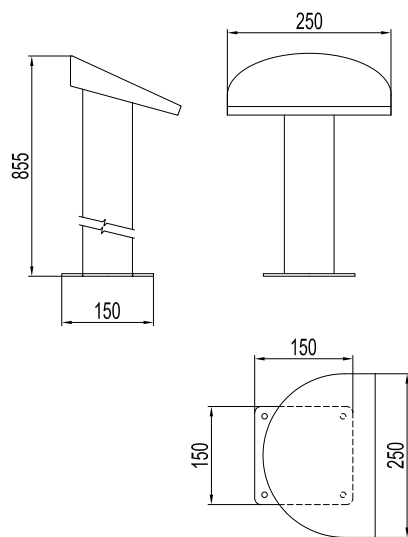
WEIGHT: 10 kg

Cascade shower is supplied with these accessories: anchoring to the concrete, gasket, connection elements.

Hand polished = high gloss quality

CONNECTION: inner thread G 2"

PUMP PERFORMANCE: 20 m³ /h



CASCADE SHOWER „CANCER“ PROFI



Code

B37-0013 | stainless steel DIN 1.4404, AISI 316L, surface finish - MATTE

B37-0014 | stainless steel DIN 1.4404, AISI 316L, surface finish - POLISHED

DIMENSIONS: 820 x 208 x 880 mm
(height x width x depth)

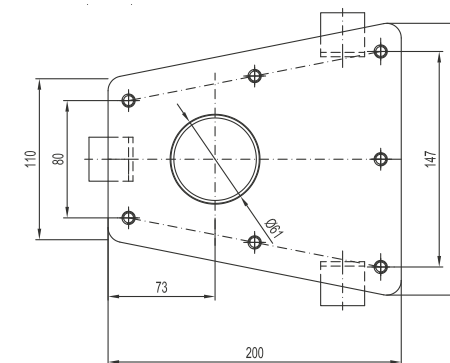
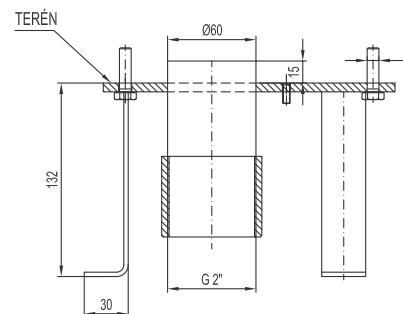
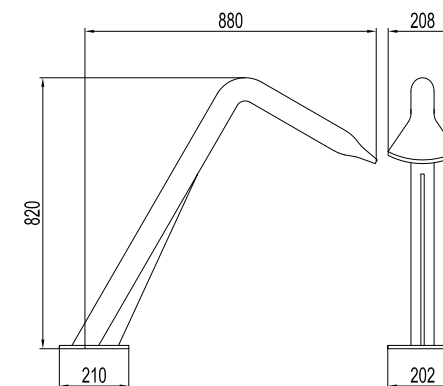
WEIGHT: 14 kg

Cascade shower is supplied with these accessories: anchoring to the concrete, gasket, connection elements.

Hand polished = high gloss quality

CONNECTION: inner thread G 2"

PUMP PERFORMANCE: 20 m³ /h



CASCADE SHOWER „SCORPIO“ PROFI



Code

B37-0023 | stainless steel DIN 1.4404, AISI 316L, surface finish - MATTE

B37-0024 | stainless steel DIN 1.4404, AISI 316L, surface finish - POLISHED

DIMENSIONS: 315 x 250 x 185 mm
(height x width x depth)

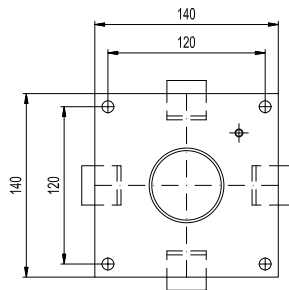
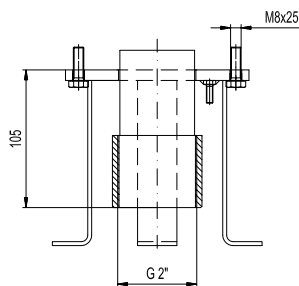
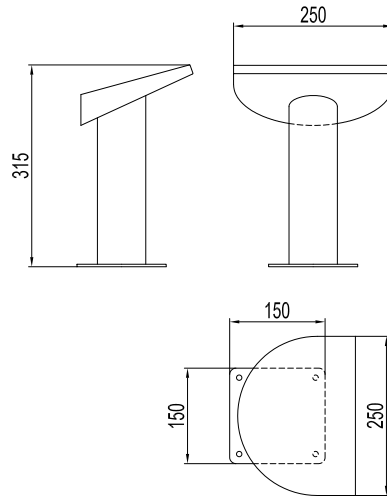
WEIGHT: 7,5 kg

Cascade shower is supplied with these accessories: anchoring to the concrete, gasket, connection elements.

Hand polished = high gloss quality

CONNECTION: inner thread G 2"

PUMP PERFORMANCE: 20 m³ /h



CASCADE SHOWER „HEDGEHOG“ PROFI



Code

B37-0603 | stainless steel DIN 1.4404, AISI 316L, surface finish - MATTE

DIMENSIONS:

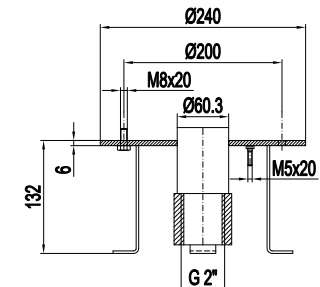
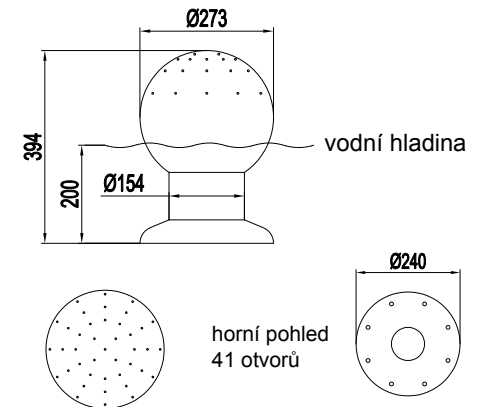
according the request x 273 x 273 mm
(height x width x depth)

WEIGHT: 14 kg

Cascade shower is supplied with these accessories: anchoring to the concrete, gasket, connection elements.

CONNECTION: inner thread G 2"

PUMP PERFORMANCE: 10 m³ /h



CASCADE SHOWER „CAPRICORN“ PROFI



Code

B37-0093 | stainless steel DIN 1.4404, AISI 316L, surface finish - MATTE

B37-0094 | stainless steel DIN 1.4404, AISI 316L, surface finish - POLISHED

DIMENSIONS: 780 x 85 x 345 mm
(height x width x depth)

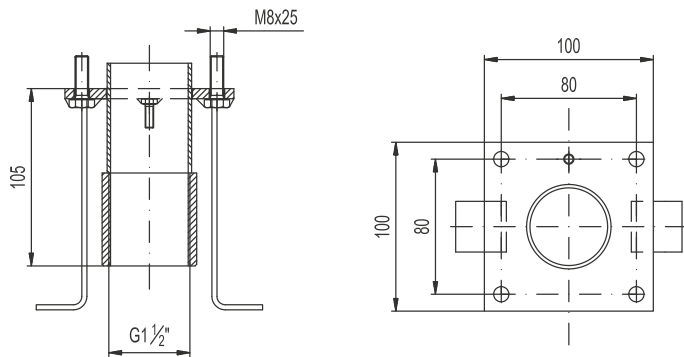
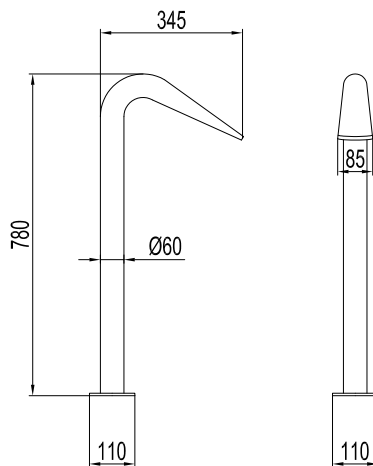
WEIGHT: 8 kg

Cascade shower is supplied with these accessories: anchoring to the concrete, gasket, connection elements.

Hand polished = high gloss quality

CONNECTION: inner thread G 1,5"

PUMP PERFORMANCE: 20 m³ /h



CASCADE SHOWER „SAGITTARIUS“ PROFI



Code

B37-0103 | stainless steel DIN 1.4404, AISI 316L, surface finish - MATTE

B37-0104 | stainless steel DIN 1.4404, AISI 316L, surface finish - POLISHED

DIMENSIONS: 780 x 60 x 345 mm
(height x width x depth)

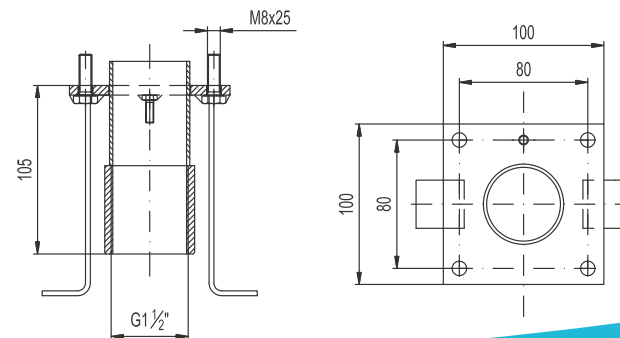
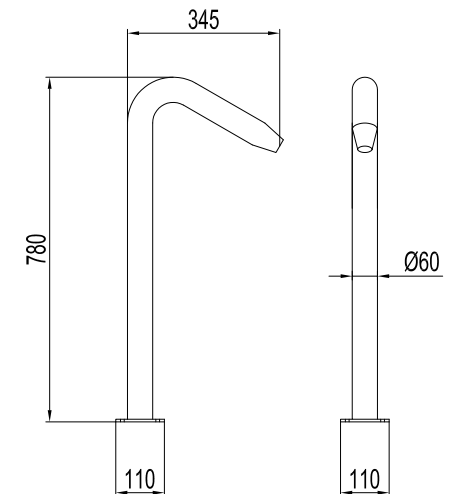
WEIGHT: 8 kg

Cascade shower is supplied with these accessories: anchoring to the concrete, gasket, connection elements.

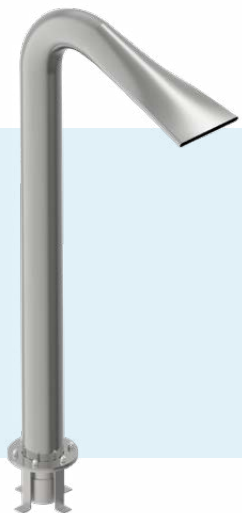
Hand polished = high gloss quality

CONNECTION: inner thread G 1,5"

PUMP PERFORMANCE: 20 m³ /h



CASCADE SHOWER „DUCK 200“ PROFI



Code

B37-0095 | stainless steel DIN 1.4404,
AISI 316L, surface finish - MATTE

B37-0096 | stainless steel DIN 1.4404,
AISI 316L, surface finish - POLISHED

DIMENSIONS: 1300 x 640 x 200 mm
(height x width x depth)

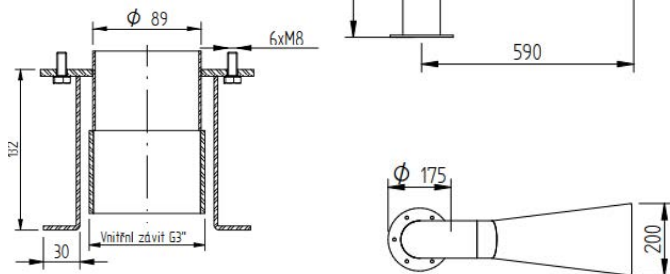
WEIGHT: 13 kg

Cascade shower is supplied with these accessories: anchoring to the concrete, gasket, connection elements.

Hand polished = high gloss quality

CONNECTION: inner thread G 3"

PUMP PERFORMANCE: 25 m³ /h



CASCADE SHOWER „DUCK 400“ PROFI



Code

B37-0097 | stainless steel DIN 1.4404,
AISI 316L, surface finish - MATTE

B37-0098 | stainless steel DIN 1.4404,
AISI 316L, surface finish - POLISHED

DIMENSIONS: 1300 x 640 x 400 mm
(height x width x depth)

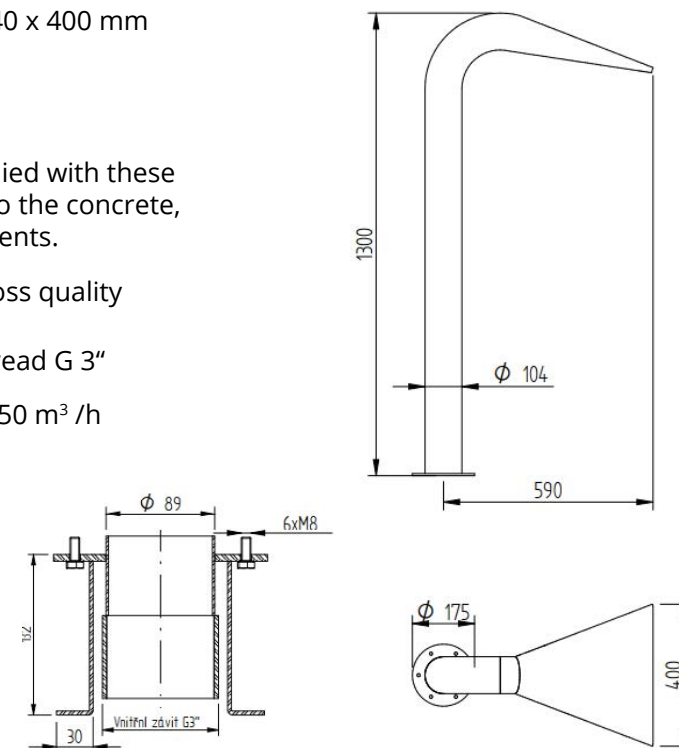
WEIGHT: 14 kg

Cascade shower is supplied with these accessories: anchoring to the concrete, gasket, connection elements.

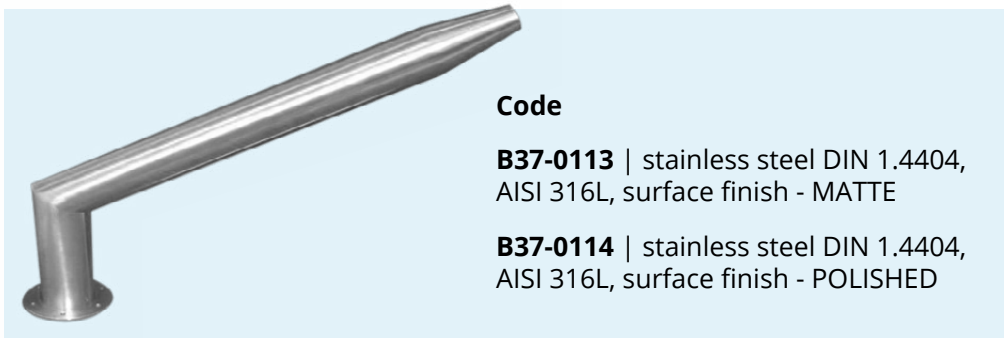
Hand polished = high gloss quality

CONNECTION: inner thread G 3"

PUMP PERFORMANCE: 50 m³ /h



CASCADE SHOWER „BIG STREAMLINE“ PROFI



Code

B37-0113 | stainless steel DIN 1.4404,
AISI 316L, surface finish - MATTE

B37-0114 | stainless steel DIN 1.4404,
AISI 316L, surface finish - POLISHED

DIMENSIONS: 725 x 104 x 765 mm
(height x width x depth)

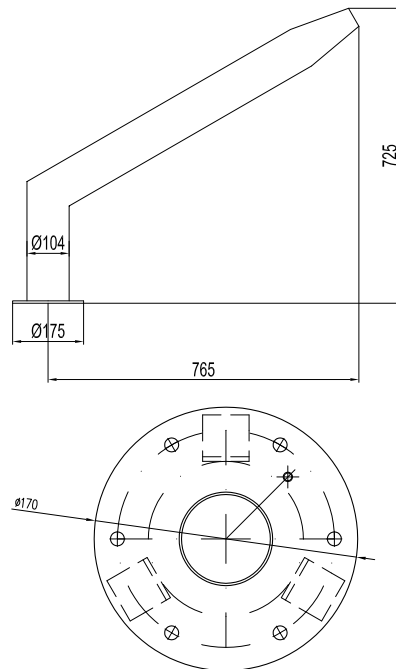
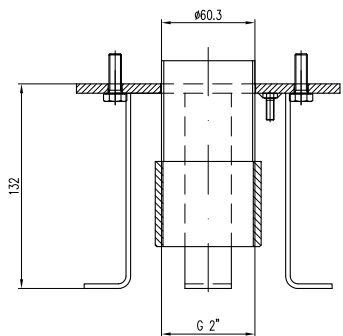
CONNECTION: inner thread G 2"

PUMP PERFORMANCE: 30 m³ /h

WEIGHT: 13 kg

Cascade shower is supplied with these accessories: anchoring to the concrete, gasket, connection elements.

Hand polished = high gloss quality



CASCADE SHOWER „SMALL STREAMLINE“ PROFI



Code

B37-0117 | stainless steel DIN 1.4404,
AISI 316L, surface finish - MATTE

B37-0118 | stainless steel DIN 1.4404,
AISI 316L, surface finish - POLISHED

DIMENSIONS: 380 x 60 x 445 mm
(height x width x depth)

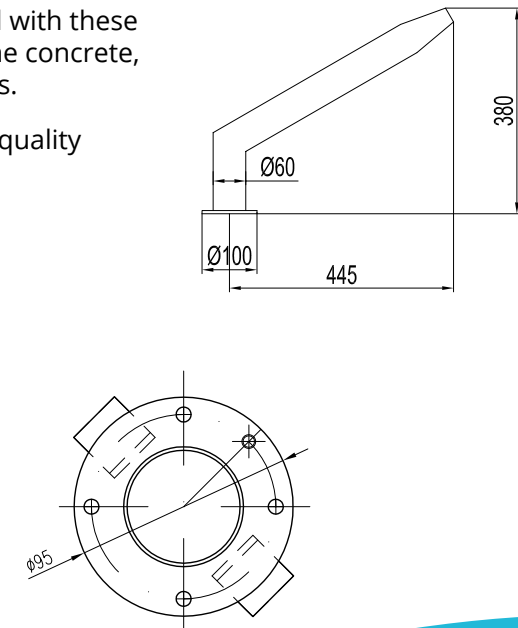
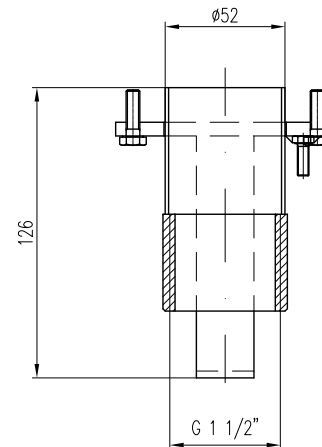
CONNECTION: inner thread G 1,5"

PUMP PERFORMANCE: 20 m³ /h

WEIGHT: 4 kg

Cascade shower is supplied with these accessories: anchoring to the concrete, gasket, connection elements.

Hand polished = high gloss quality

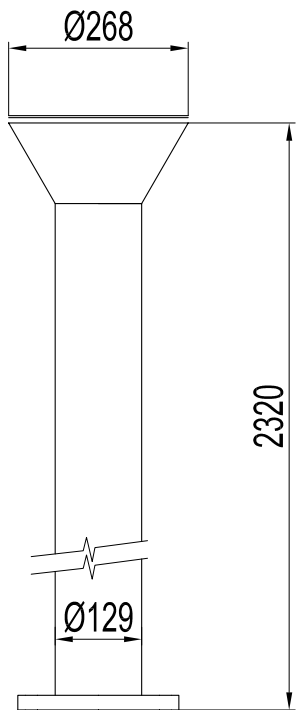


CASCADE SHOWER „AQUARIUS“ PROFI



Code

B37-0122 | stainless steel DIN 1.4404,
AISI 316L, surface finish - MATTE



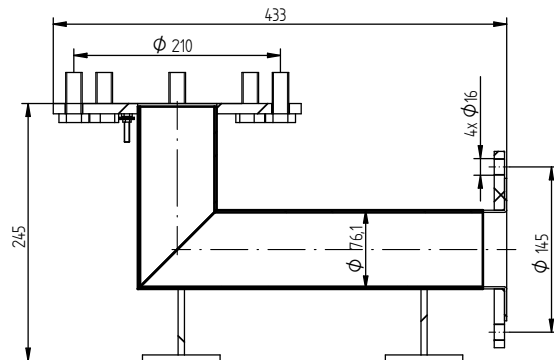
DIMENSIONS: 2320 x 268 x 268 mm
(height x width x depth)

WEIGHT: 25 kg

Cascade shower is supplied with these accessories: anchoring to the concrete, gasket, connection elements.

CONNECTION: flange DN 65 PN 10/76,1 AL

PUMP PERFORMANCE: 50 m³ /h



CASCADE SHOWER „JUPITER“ PROFI



Code

B37-0107 | stainless steel DIN 1.4404,
AISI 316L, surface finish - MATTE

B37-0108 | stainless steel DIN 1.4404,
AISI 316L, surface finish - POLISHED

DIMENSIONS: 755 x 650 x 60 mm
(height x width x depth)

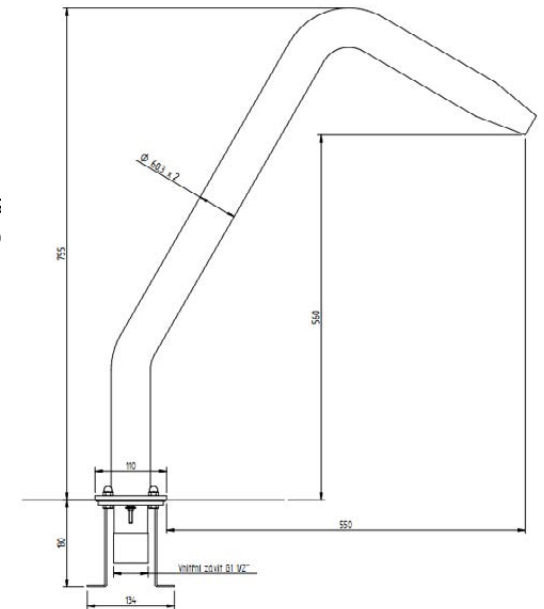
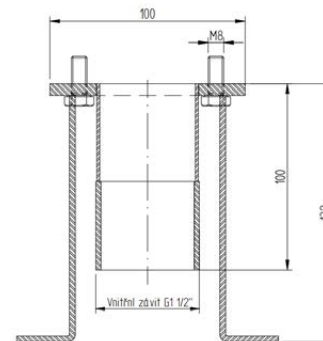
WEIGHT: 6 kg

Cascade shower is supplied with these accessories: anchoring to the concrete, gasket, connection elements.

Hand polished = high gloss quality

CONNECTION: inner thread G 1,5"

PUMP PERFORMANCE: 20 m³ /h



CASCADE SHOWER „BOLETUS“

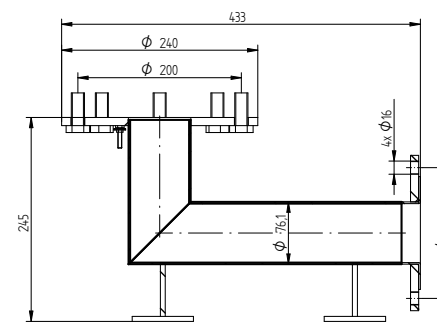
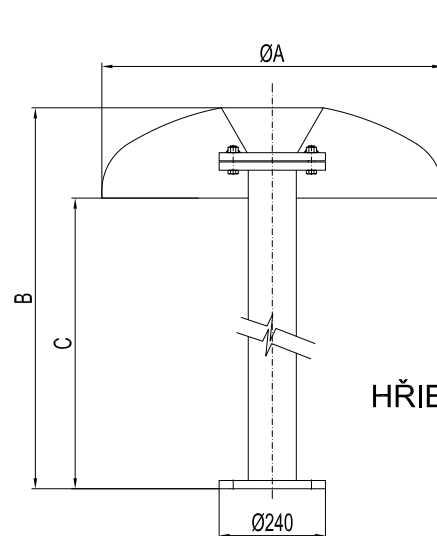
Code

B37-0151 | stainless steel DIN 1.4404, AISI 316L Ø 900 stainless steel hat, surface finish - MATTE, 49 kg

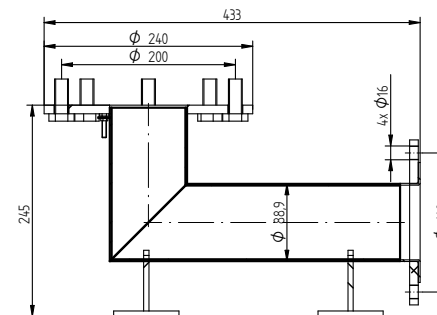
B37-0153 | stainless steel DIN 1.4404, AISI 316L Ø 1000 stainless steel hat, surface finish - MATTE, 54 kg

B37-0155 | stainless steel DIN 1.4404, AISI 316L Ø 1100 stainless steel hat, surface finish - MATTE, 66,5 kg

B37-0161 | stainless steel DIN 1.4404, AISI 316L Ø 2000 fiberglass hat, surface finish - MATTE, 140 kg



stainless steel boletus connection



fiberglass boletus connection

CODE	A (mm)	B (mm)	C (mm)
B37-0151	900	2280	2050
B37-0153	1000	2280	2050
B37-0155	1100	2280	2050
B37-0161	2000	2280	2050

DIMENSIONS: viz nákres

Cascade shower is supplied with these accessories: anchoring to the concrete, gasket, connection elements.

BOLETUS Ø 900 - 1100 mm

CONNECTION: flange DN 65 PN 10/76,1 AL

PUMP PERFORMANCE: 35 m³ /h

BOLETUS Ø 2000 mm

CONNECTION: flange DN 80 PN 10/88,9 AL

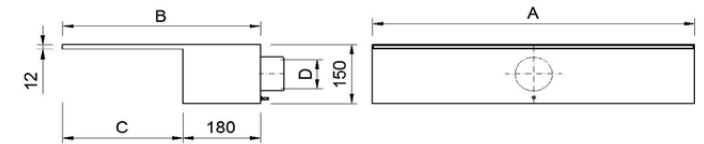
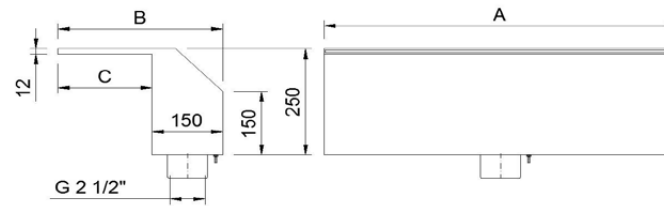
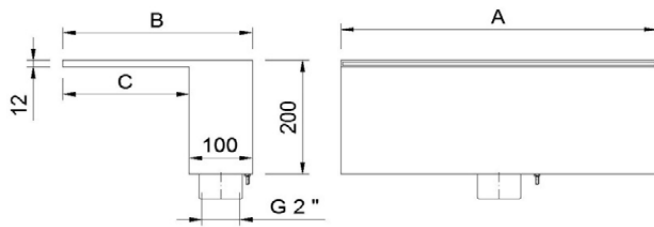
PUMP PERFORMANCE: 50 m³ /h

CASCADE SHOWER „TO THE WALL“



MATERIAL: stainless steel DIN 1.4404, AISI 316L

Surface finish of the visible part 30 mm:
POLISHED / MATTE



CASCADE SHOWER - TO THE WALL BOTTOM OUTLET

KÓD	A (mm)	B (mm)	C (mm)	Hmotnost (Kg)	Výkon čerpadla (m³/h)
B37-0132	330	250	150	10	20
B37-0134	430	300	200	13	30
B37-0136	500	300	200	15	40

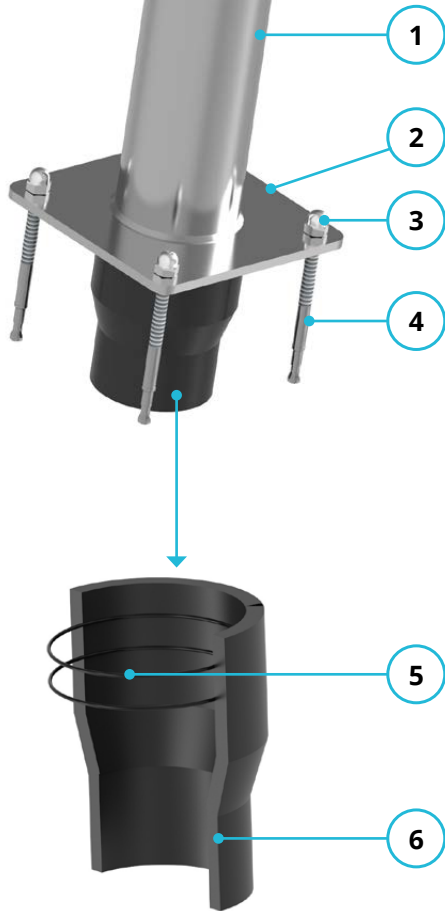
CASCADE SHOWER - TO THE WALL BOTTOM OUTLET

KÓD	A (mm)	B (mm)	C (mm)	Hmotnost (Kg)	Výkon čerpadla (m³/h)
B37-0138	750	350	200	24	60
B37-0140	1000	350	200	31	80

CASCADE SHOWER - TO THE WALL REAR OUTLET

KÓD	A (mm)	B (mm)	C (mm)	D	Hmotnost (Kg)	Výkon čerpadla (m³/h)
B37-0131	330	400	220	2"	12	20
B37-0133	430	400	220	2"	14,5	30
B37-0135	500	460	280	2"	18	50
B37-0137	750	460	280	2,5"	25	60
B37-0139	1000	460	280	2,5"	32	80

VARIANTS OF ANCHORING

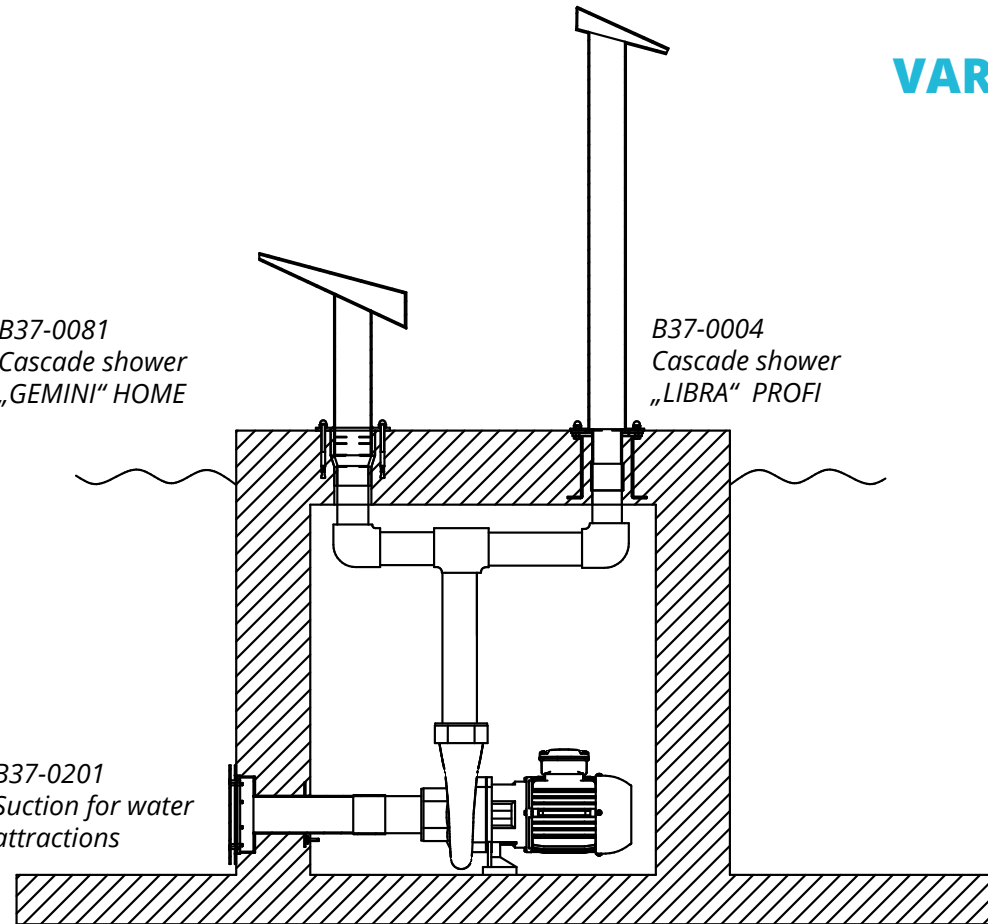


B37-1134 Easy coupler Ø 75/63

B37-1135 Easy coupler Ø 63/50

*B37-0081
Cascade shower
„GEMINI“ HOME*

*B37-0201
Suction for water
attractions*



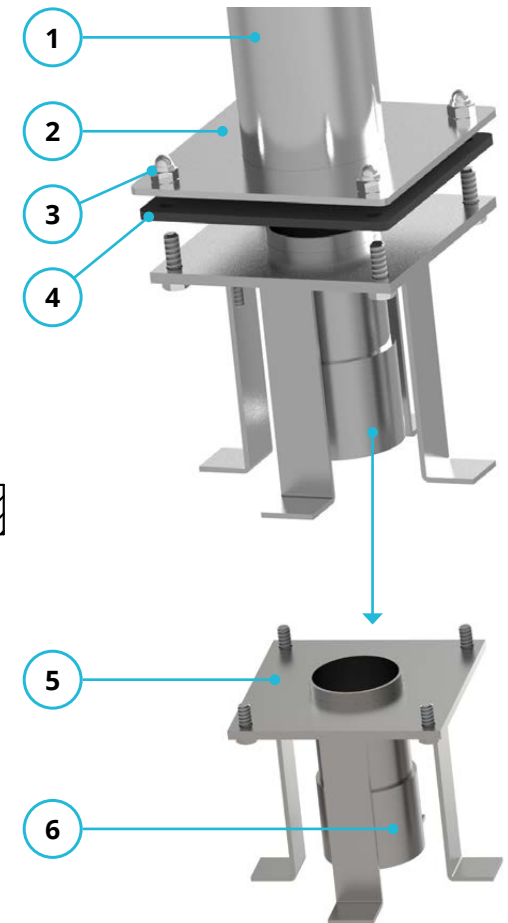
HOME

- 4 stainless steel anchor
- 5 o-rings
- 6 easy coupler

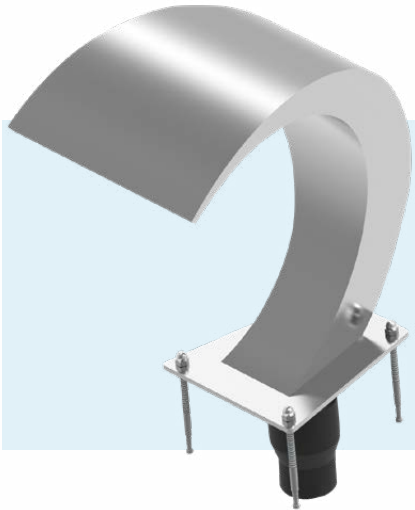
- 1 cascade shower body
- 2 podstava chrliče
- 3 matice M8 uzavřená

PROFI

- 4 gasket
- 5 anchoring to the concrete
- 6 inner thread



CASCADE SHOWER „SNAKE 280“ HOME



Code

B37-0171 | stainless steel DIN 1.4404, AISI 316L, surface finish - MATTE

B37-0172 | stainless steel DIN 1.4404, AISI 316L, surface finish - POLISHED

DIMENSIONS: 440 x 284 x 405 mm
(height x width x depth)

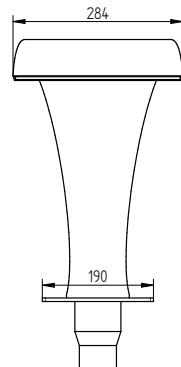
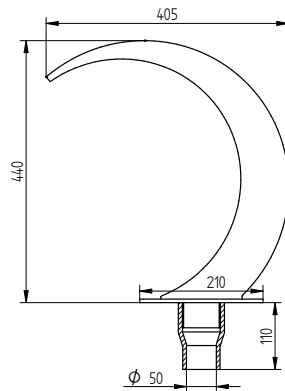
WEIGHT: 8,5 kg

Cascade shower is supplied with these accessories: quick coupler and connection elements.

Hand polished = high gloss quality

CONNECTION: B37-1135 Easy coupler
ø63 mm/ø50 mm, inlet pipe ø50

PUMP PERFORMANCE: 20 m³ /h



CASCADE SHOWER „SNAKE 380“ HOME



Code

B37-0173 | stainless steel DIN 1.4404, AISI 316L, surface finish - MATTE

B37-0174 | stainless steel DIN 1.4404, AISI 316L, surface finish - POLISHED

DIMENSIONS: 585 x 380 x 545 mm
(height x width x depth)

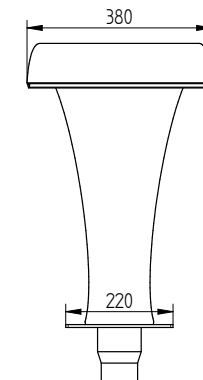
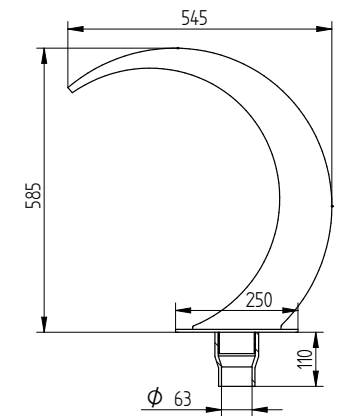
WEIGHT: 17 kg

Cascade shower is supplied with these accessories: quick coupler and connection elements.

Hand polished = high gloss quality

CONNECTION: B37-1134 Easy coupler
ø75 mm/ø63 mm, inlet pipe ø63

PUMP PERFORMANCE: 30 m³ /h



CASCADE SHOWER „PISCES“ HOME



Code

B37-0045 | stainless steel DIN 1.4404,
AISI 316L, surface finish - MATTE

B37-0046 | stainless steel DIN 1.4404,
AISI 316L, surface finish - POLISHED

DIMENSIONS: 535 x 347 x 695 mm
(height x width x depth)

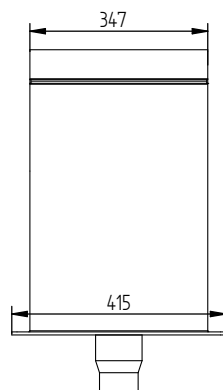
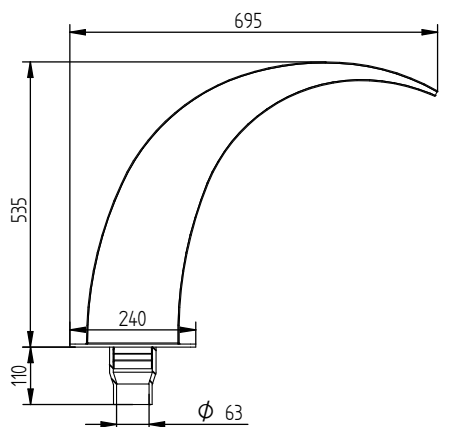
WEIGHT: 28 kg

Cascade shower is supplied with these accessories: quick coupler and connection elements.

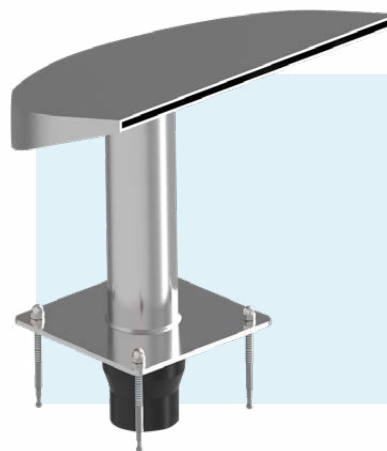
Hand polished = high gloss quality

CONNECTION: B37-1134 Easy coupler
ø75 mm/ø63 mm, inlet pipe ø63

PUMP PERFORMANCE: 30 m³ /h



CASCADE SHOWER „GEMINI“ HOME



Code

B37-0081 | stainless steel DIN 1.4404,
AISI 316L, surface finish - MATTE

B37-0082 | stainless steel DIN 1.4404,
AISI 316L, surface finish - POLISHED

DIMENSIONS: 353 x 400 x 300 mm
(height x width x depth)

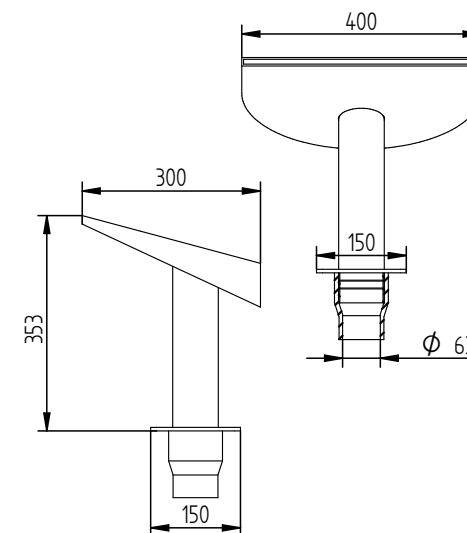
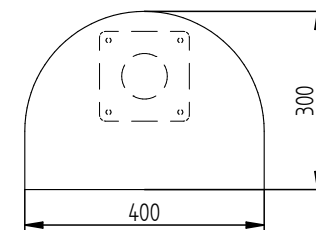
WEIGHT: 11 kg

Cascade shower is supplied with these accessories: quick coupler and connection elements.

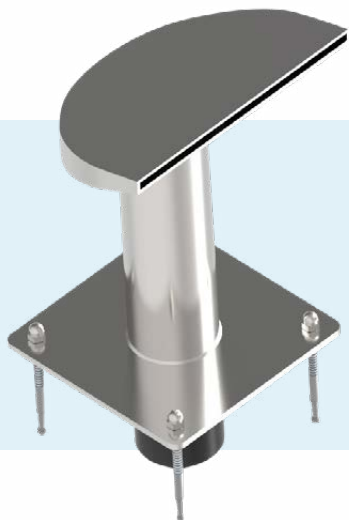
Hand polished = high gloss quality

CONNECTION: B37-1134 Easy coupler
ø75 mm/ø63 mm, inlet pipe ø63

PUMP PERFORMANCE: 20 m³ /h



CASCADE SHOWER „SCORPIO“ HOME



Code

B37-0025 | stainless steel DIN 1.4404, AISI 316L, surface finish - MATTE

B37-0026 | stainless steel DIN 1.4404, AISI 316L, surface finish - POLISHED

DIMENSIONS: 315 x 250 x 185 mm
(height x width x depth)

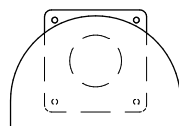
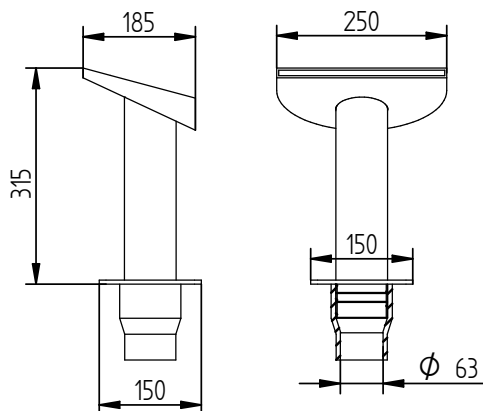
WEIGHT: 6,5 kg

Cascade shower is supplied with these accessories: quick coupler and connection elements.

Hand polished = high gloss quality

CONNECTION: B37-1134 Easy coupler
ø75 mm/ø63 mm, inlet pipe ø63

PUMP PERFORMANCE: 30 m³ /h



CASCADE SHOWER „JUPITER“ HOME



Code

B37-0175 | stainless steel DIN 1.4404, AISI 316L, surface finish - MATTE

B37-0176 | stainless steel DIN 1.4404, AISI 316L, surface finish - POLISHED

DIMENSIONS: 755 x 650 x 60 mm
(height x width x depth)

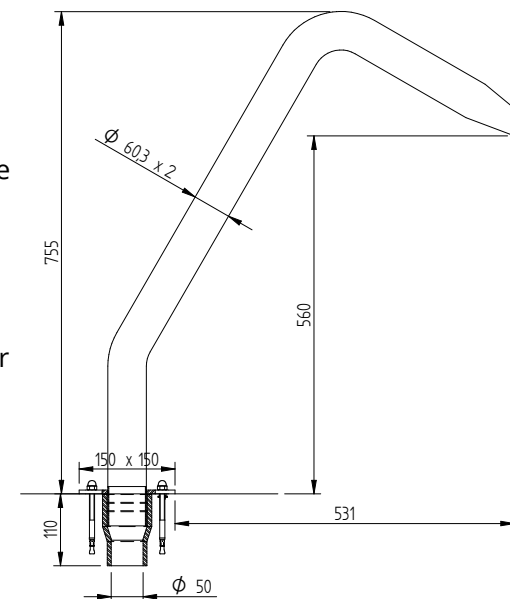
WEIGHT: 6 kg

Cascade shower is supplied with these accessories: quick coupler and connection elements.

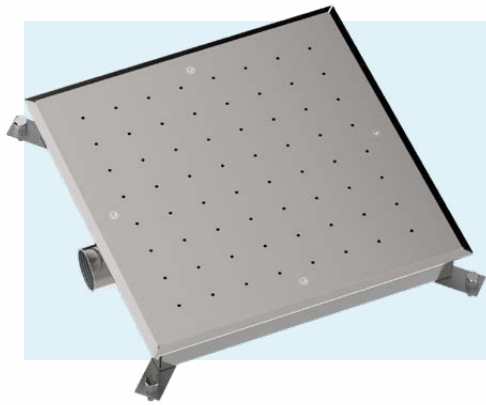
Hand polished = high gloss quality

CONNECTION: B37-1135 Easy coupler
ø63 mm/ø50 mm, inlet pipe ø50

PUMP PERFORMANCE: 20 m³ /h



BOTTOM AIR MASSAGE „SQUARE“



Code

N03-1001 | use for foil pools, DIN 1.4404, AISI 316L, surface finish of the visible part: POLISHED

N03-1002 | use for ceramic tiles, DIN 1.4404, AISI 316L, surface finish of the visible part: POLISHED

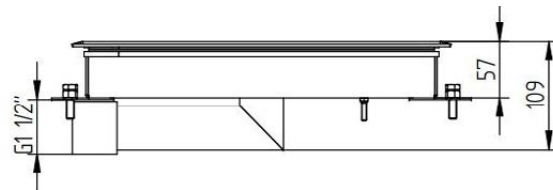
N03-1001

DIMENSIONS: 385 x 385 mm

WEIGHT: 13 kg

CONNECTION: inner thread G 1 1/2"

BLOWER: 70 m³ /h



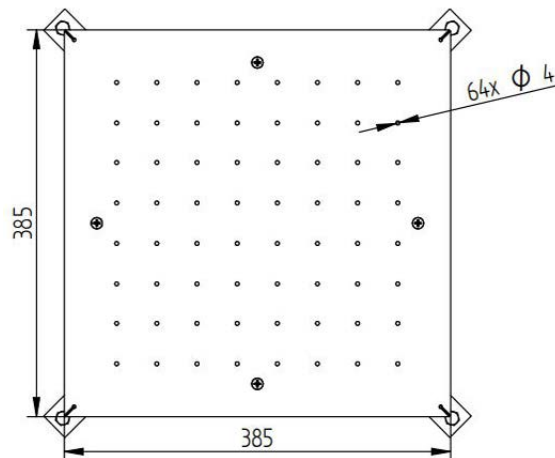
N03-1002

DIMENSIONS: 414 x 414 mm

WEIGHT: 14 kg

CONNECTION: inner thread G 1 1/2"

BLOWER: 70 m³ /h



BOTTOM AIR MASSAGE „CIRCULAR“



Code

N03-1004 | use for ceramic tiles Ø 475 mm, DIN 1.4404, AISI 316L, surface finish of the visible part: POLISHED

N03-1005 | use for foil pools Ø 475 mm, DIN 1.4404, AISI 316L, surface finish of the visible part: POLISHED

N03-1006 | use for ceramic tiles Ø 300 mm, DIN 1.4404, AISI 316L, surface finish of the visible part: POLISHED

N03-1007 | use for foil pools Ø 300 mm, DIN 1.4404, AISI 316L, surface finish of the visible part: POLISHED

BOTTOM AIR MASSAGE Ø 475 mm

DIMENSIONS: 14 kg

CONNECTION: inner thread G 1 1/2"

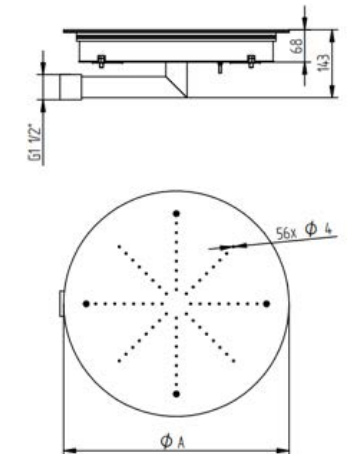
BLOWER: 80 m³ /h

BOTTOM AIR MASSAGE Ø 300 mm

DIMENSIONS: 6 kg

CONNECTION: inner thread G 1 1/2"

BLOWER: 70 m³ /h



AIR

MASSAGE NOZZLES



Code

N03-0034 Hydromassage nozzle for foil pools | stainless steel DIN 1.4404, AISI 316L

N03-0036 Hydromassage nozzle - set for stainless steel pools
stainless steel DIN 1.4404, AISI 316L

HYDROMASSAGE NOZZLE

WEIGHT: 0,5 kg

CONNECTION:

inner thread G 1" - water
inner thread G 3/8" - air

HYDROMASSAGE NOZZLE - SET

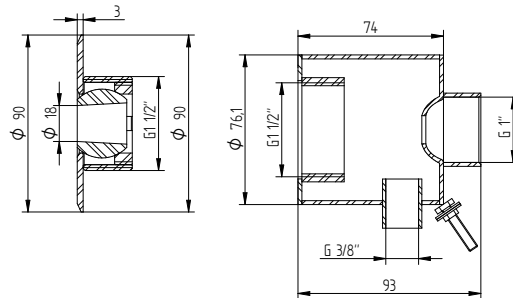
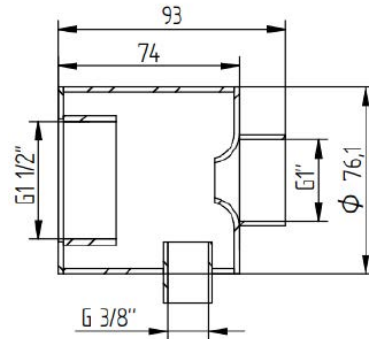
WEIGHT: 1 kg

ACCESSORIES:

N03-0034 Hydromassage nozzle

N03-0044 Stainless steel nozzle, „D“ with ball with 4 holes

N03-0033 Wrench for nozzles - vacuum points with ball



AIR

MASSAGE NOZZLES



Code

N03-0039 Hydromassage nozzle for foil pools | stainless steel DIN 1.4404, AISI 316L

N03-0041 Hydromassage nozzle - set - for foil pools | stainless steel
DIN 1.4404, AISI 316L

HYDROMASSAGE NOZZLE BODY

WEIGHT: 1 kg

CONNECTION:

inner thread G 1" - water
inner thread G 3/8" - air

HYDROMASSAGE NOZZLE - SET

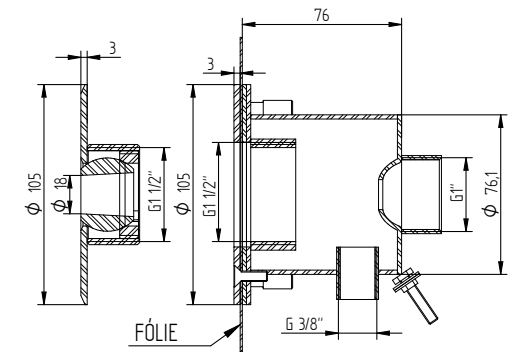
WEIGHT: 1,5 kg

ACCESSORIES:

N03-0039 Hydromassage nozzle for foil pools

N03-0040 Stainless steel nozzle „D105“ with ball with 1 hole

N03-0033 Wrench for nozzles - vacuum points with ball



AIR MASSAGE NOZZLES



Code

N03-0039 Hydromassage nozzle for ceramic tiles | stainless steel DIN 1.4404, AISI 316L

N03-0041 Hydromassage nozzle - set - for ceramic tiles | stainless steel DIN 1.4404, AISI 316L

HYDROMASSAGE NOZZLE FOR CERAMIC TILES

WEIGHT: 0,7 kg

CONNECTION:

inner thread G 1" - water
inner thread G 3/8" - air

HYDROMASSAGE NOZZLE - SET

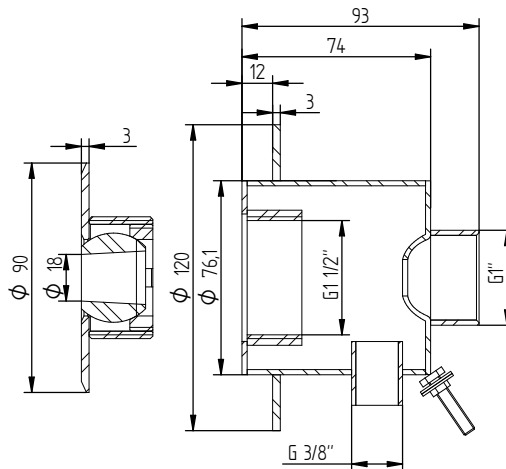
WEIGHT: 1 kg

ACCESSORIES:

N03-0042 Hydromassage nozzle for ceramic pools

N03-0044 Stainless steel nozzle D90 with ball with 1 hole

N03-0033 Wrench for nozzles - vacuum points with ball



STAINLESS STEEL MASSAGE NOZZLES



Code

N03-0022 Nozzle 36 / 1/2" | stainless steel DIN 1.4404, AISI 316L, 5x Ø 4 mm

N03-0023 Nozzle 52 / 1 | stainless steel DIN 1.4404, AISI 316L, hexagon 1 x 8 mm

surface finish of the visible part:
POLISHED

NOZZLE 36 / 1/2

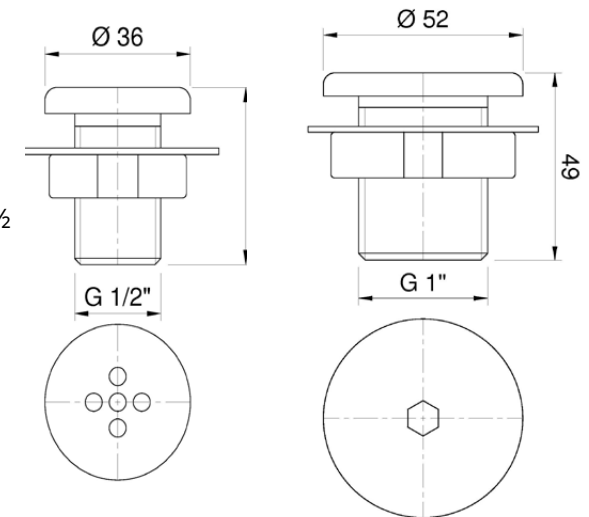
WEIGHT: 0,1 kg

ACCESSORIES:

N03-0027 Wrench for nozzles 36 / 1/2

NOZZLE 52 / 1

WEIGHT: 0,25 kg



STAINLESS STEEL MESSAGE NOZZLES



Code

N03-0024 Nozzle 80 / 1,5" | stainless steel DIN 1.4404, AISI 316L, 4x Ø 6 mm

N03-0031 Nozzle 90/17/2" | stainless steel DIN 1.4404, AISI 316L

surface finish of the visible part:
POLISHED

NOZZLE 80 / 1,5"

WEIGHT: 0,42 kg

ACCESSORIES:

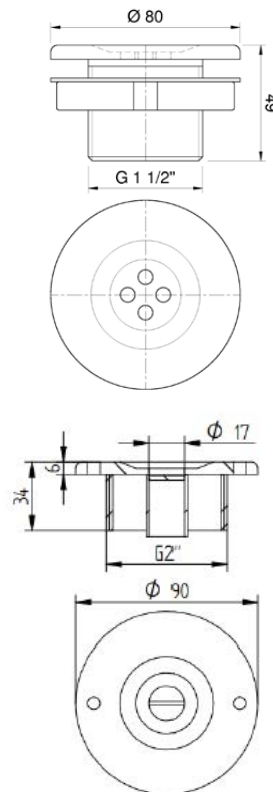
N03-0028 Wrench for nozzles 80 / 1,5"

NOZZLE 90/17/2"

WEIGHT: 0,45 kg

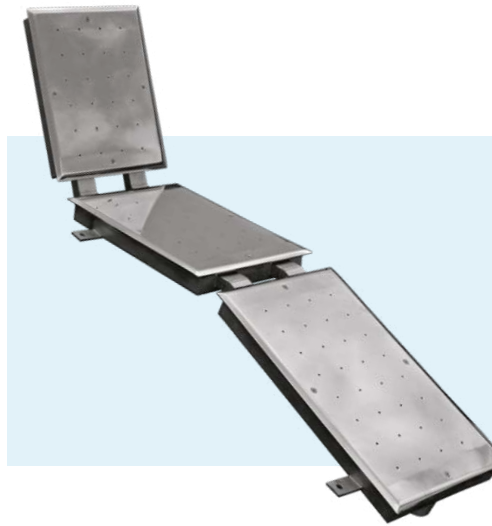
ACCESSORIES:

N03-0032 Wrench for nozzles 90/17/2"



AIR

MESSAGE BENCH



Code

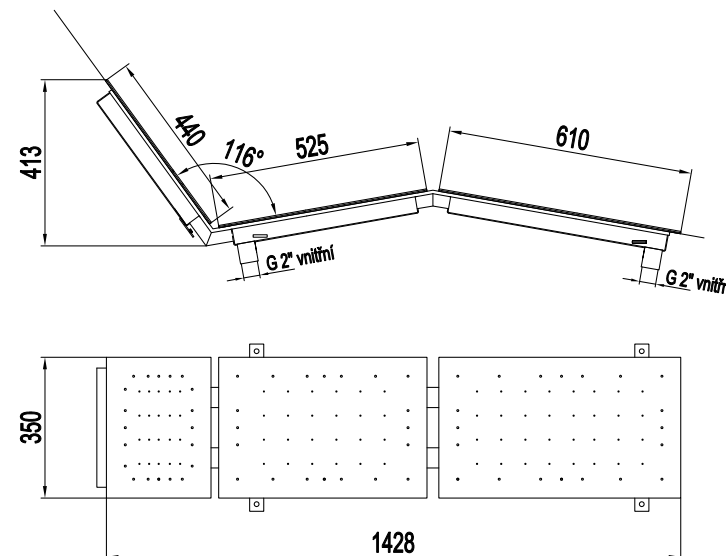
N03-1015 Air massage bench - use for foil pools | stainless steel DIN 1.4404, AISI 316L, surface finish of the visible part: POLISHED

WEIGHT: 33 kg

CONNECTION: 2x inner thread G 2"

BLOWER: 50 m³ / h

ANCHORING: We supply 4 anchor rods for fixing the bench in the desired position.



AIR MASSAGE BENCH



Code

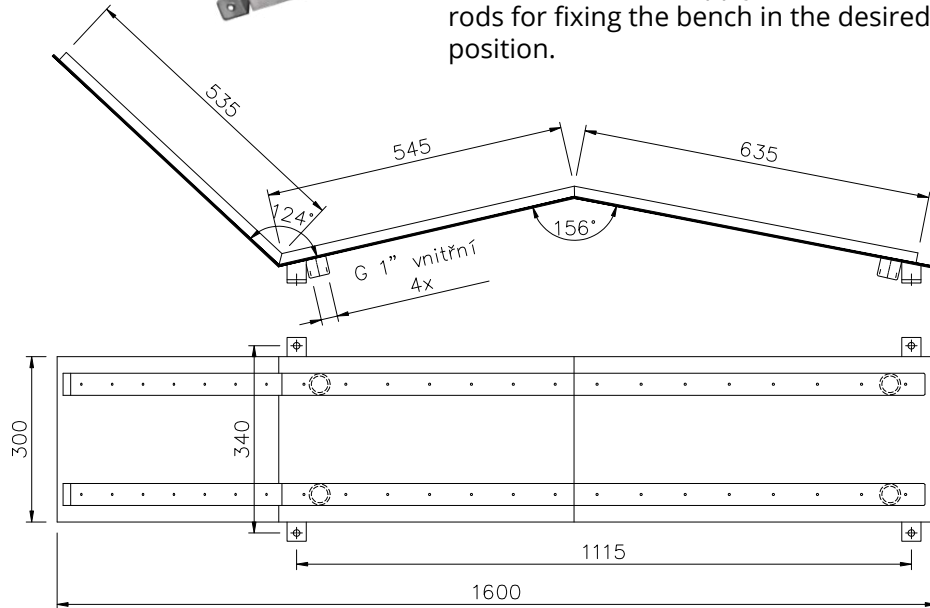
N03-1017 Air massage bench - use for ceramic tiles | stainless steel DIN 1.4404, AISI 316L, Surface finish of the visible part: POLISHED

WEIGHT: 19 kg

CONNECTION: 4x inner thread G 1"

BLOWER: 30 m³ /h

ANCHORING: We supply 4 anchor rods for fixing the bench in the desired position.



AIR MASSAGE BENCH NARROW



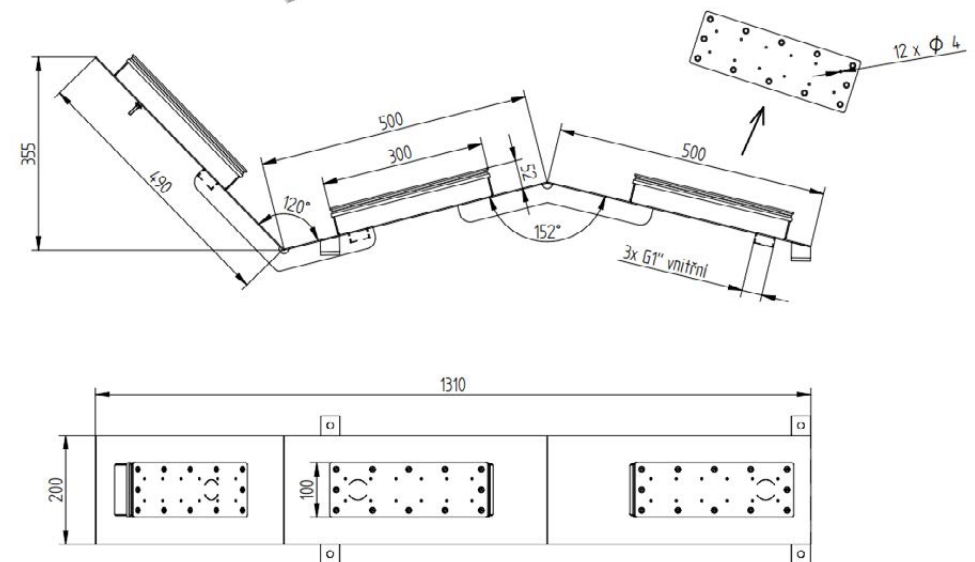
Code

N03-1016 Air massage bench narrow - use for foil pools | stainless steel DIN 1.4404, AISI 316L, Surface finish of the visible part: POLISHED

WEIGHT: 16 kg

CONNECTION: 3x inner thread G 1"

BLOWER: 25 m³ /h



COUNTER CURRENT CIRCULAR



Code

F02-0601 Counter current single circular with piezoelectric button
stainless steel DIN 1.4404, AISI 316L,
surface finish of the visible part:
POLISHED

F02-0602 Counter current double circular with piezoelectric button
stainless steel DIN 1.4404, AISI 316L,
surface finish of the visible part:
POLISHED

The counter current pump,
connecting pipes and valves are
not part of the delivery.

CONNECTION:

inner thread G 2,5"

PUMP PERFORMANCE:

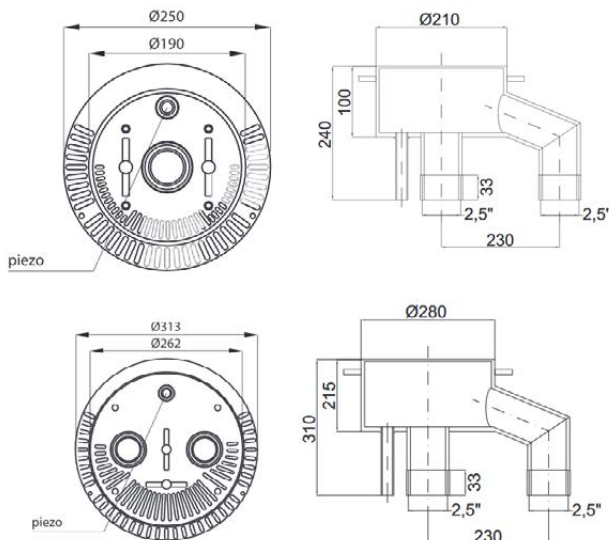
57 - 68 m³ /h

F02-0601

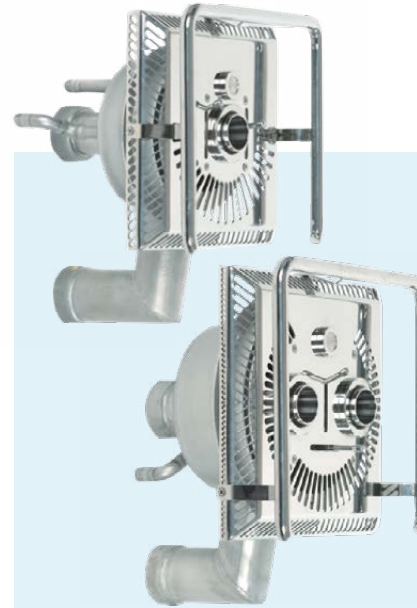
WEIGHT: 13 kg

F02-0602

WEIGHT: 15 kg



COUNTER CURRENT SQUARED



Code

F02-0603 PCounter current single squared with piezoelectric button
stainless steel DIN 1.4404, AISI 316L,
surface finish of the visible part:
POLISHED

F02-0604 Counter current double square with piezoelectric button
stainless steel DIN 1.4404, AISI 316L,
surface finish of the visible part:
POLISHED

The counter current pump,
connecting pipes and valves are
not part of the delivery.

CONNECTION:

inner thread G 2,5"

PUMP PERFORMANCE:

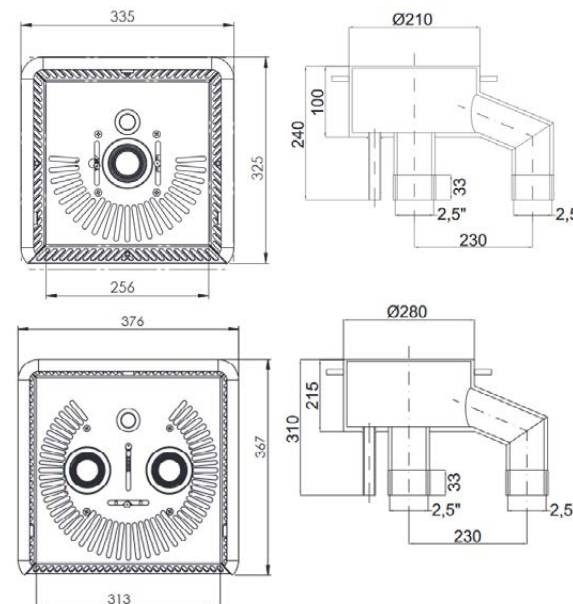
57 - 68 m³ /h

F02-0603

WEIGHT: 13 kg

F02-0604

WEIGHT: 15 kg



PIEZOELECTRIC BUTTONS



Code

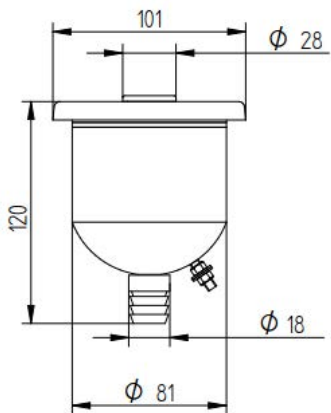
B37-0311 Piezoelectric button for foil pools | surface finish of the visible part: POLISHED

B37-0312 Piezoelectric button for ceramic tiles | surface finish of the visible part: POLISHED

The box is made of stainless steel DIN 1.4404, AISI 316L, IP 68

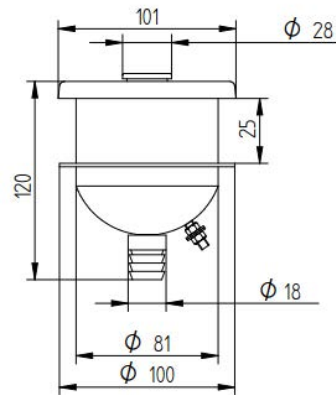
B37-0311

WEIGHT: 0,8 kg



B37-0312

WEIGHT: 1 kg



ELECTRICAL CABINET



Code

B37-0313 Electrical cabinet single-phase with piezoelectric button

B37-0314 Electrical cabinet three-phase piezoelectric button

Electric cabinets provide the operation of the pumps and control switches (piezoelectric buttons) with a 12V transformer.

STAINLESS STEEL SKIMMERS

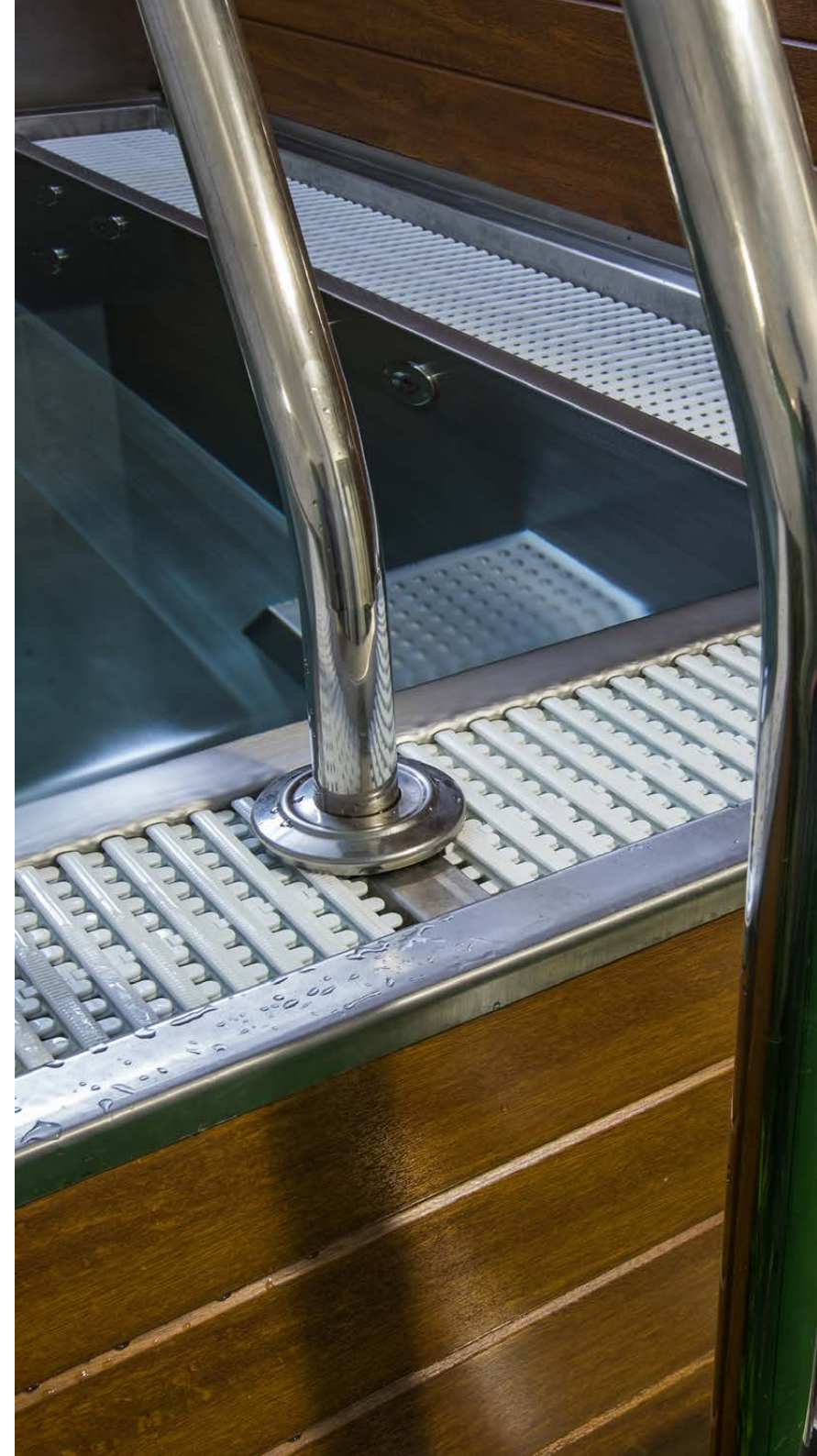
STAINLESS STEEL **SKIMMERS**

STAINLESS STEEL FRAMES **FOR PLASTIC SKIMMERS**

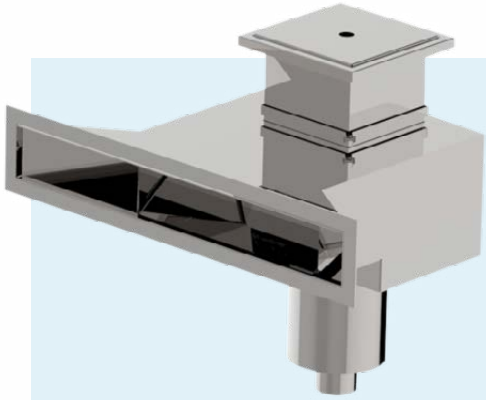
STAINLESS STEEL FLANGES **FOR PLASTIC SKIMMERS**

STAINLESS STEEL **OVERFLOW GUTTERS**

DRAINAGE **GUTTERS**



STAINLESS STEEL SKIMMER



Code

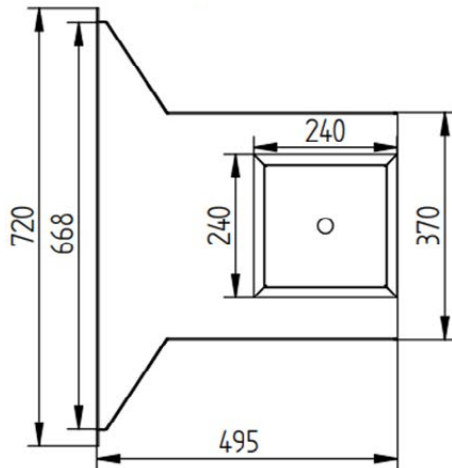
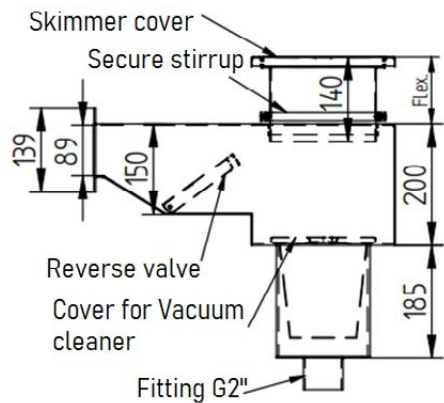
N08-0001 Stainless steel skimmer for stainless steel pools | stainless steel DIN 1.4404, AISI 316L, surface finish: MATTE

N08-0005 Stainless steel skimmer with water level controller for stainless steel pools | stainless steel DIN 1.4404, AISI 316L, surface finish: MATTE

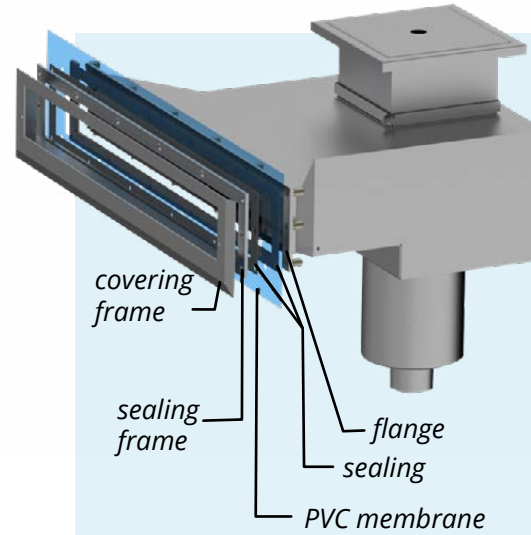
WEIGHT: 20 kg

CONNECTION: inner thread G 2"

MAX. RECOMMENDED FLOW RATE:
15 m³ /h



STAINLESS STEEL SKIMMER



Code

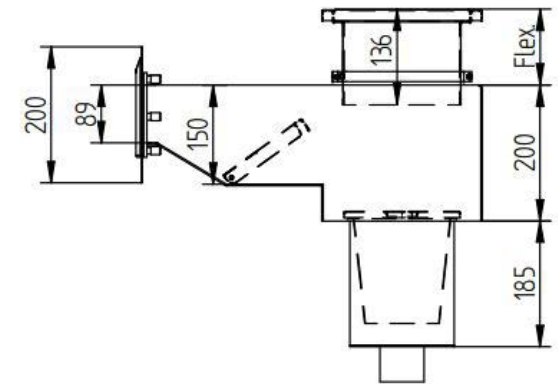
N08-0002 Stainless steel skimmer for foil pools | stainless steel DIN 1.4404, AISI 316L, cover frame surface finish: POLISHED

N08-0006 Stainless steel skimmer with water level controller for foil pools | stainless steel DIN 1.4404, AISI 316L, cover frame surface finish: POLISHED

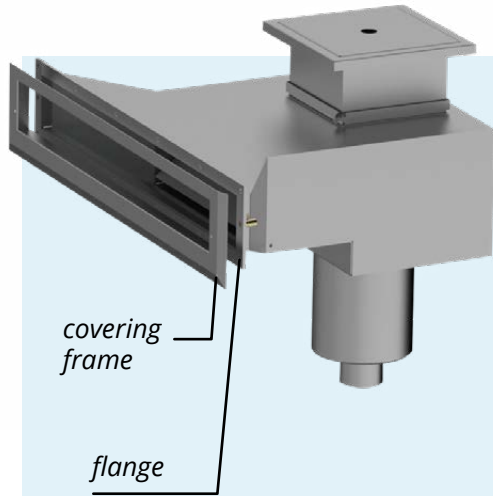
WEIGHT: 24 kg

CONNECTION: inner thread G 2"

MAX. RECOMMENDED FLOW RA
15 m³ /h



STAINLESS STEEL SKIMMER



Code

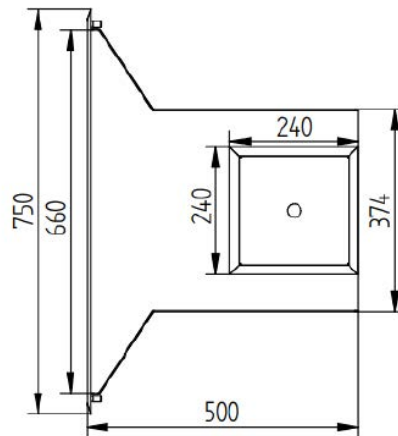
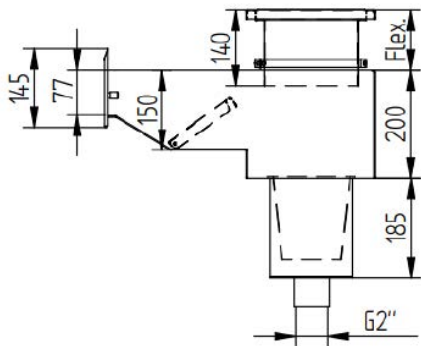
N08-0004 Stainless steel skimmer for pool made of ceramic tiles
stainless steel DIN 1.4404, AISI 316L, surface finish: MATTE, covering frame: POLISHED

N08-0007 Stainless steel skimmer with water controller for pool made of ceramic tiles | stainless steel DIN 1.4404, AISI 316L, surface finish: MATTE, covering frame: POLISHED

WEIGHT: 21 kg

CONNECTION: inner thread G 2"

MAX. RECOMMENDED FLOW RATE:
15 m³ /h



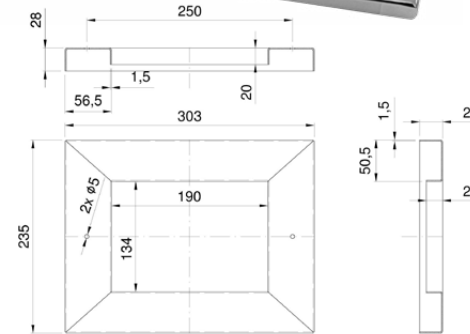
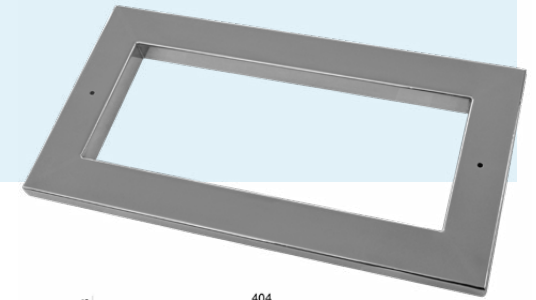
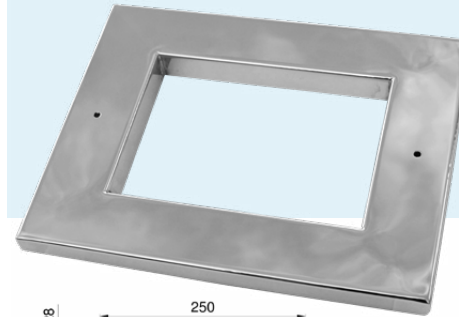
STAINLESS STEEL FRAMES FOR PLASTIC SKIMMERS

Code

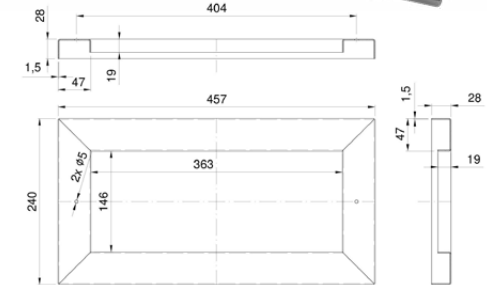
B37-0406 Frame A 11 310 | DIN 1.4404, AISI 316L, POLISHED
1 kg

B37-0407 Frame A 56 176 | DIN 1.4404, AISI 316L, POLISHED
1,5 kg

B37-0408 Frame A 11 311 | DIN 1.4404, AISI 316L, POLISHED | 1 kg



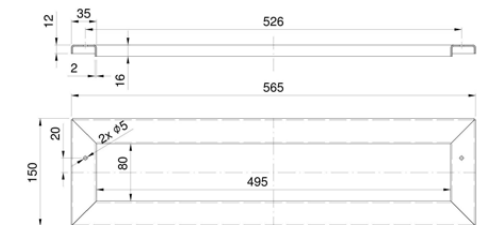
B37-0406



B37-0408



B37-0407



STAINLESS STEEL FLANGES FOR PLASTIC SKIMMERS

Code

B37-0402 Flange for skimmer
A 11 303 | 228x296/3, POLISHED,
DIN 1.4404, AISI 316L | 1,5 kg

B37-0403 Flange for skimmer
A 56176 | POLISHED, DIN 1.4404,
AISI 316L | 1,5 kg

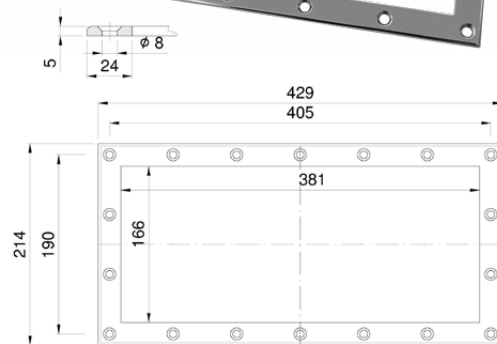
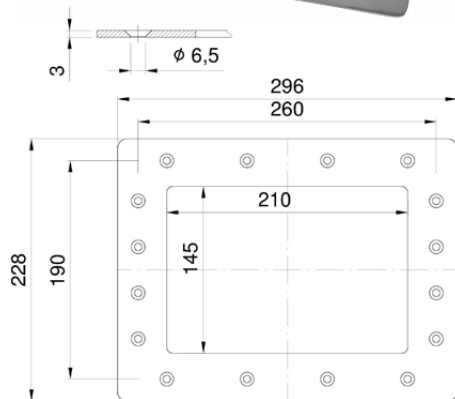
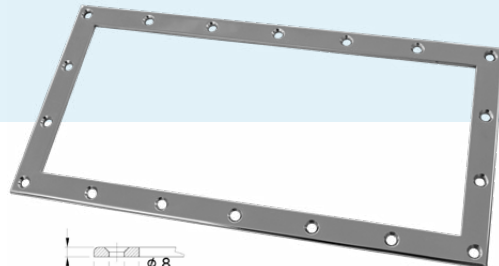
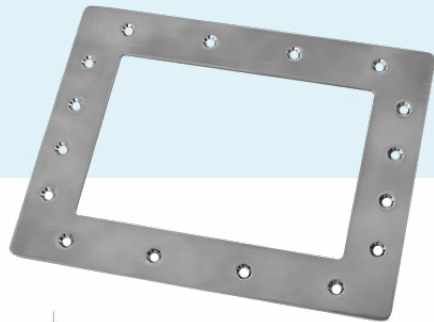
B37-0405 Flange for skimmer
A 11 311-13 | POLISHED,
DIN 1.4404, AISI 316L | 1,5 kg

B37-0409 Flange for skimmer
A11 309-10, A17 109 | POLISHED,
DIN 1.4404, AISI 316L, 1 kg

B37-0402D Flange for skimmer
A 11 303 | 228x296/3, POLISHED,
DIN 1.4462, duplex

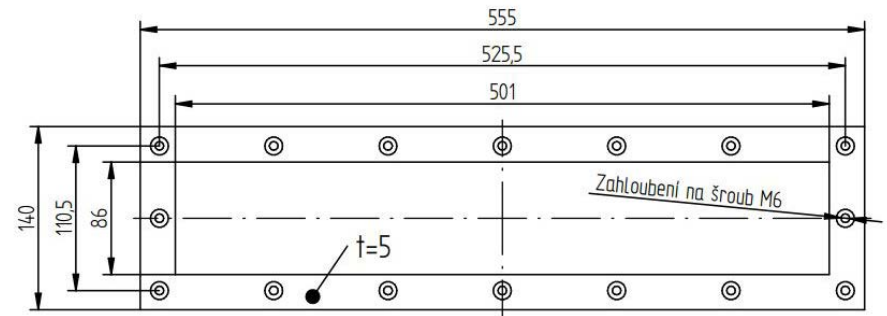
B37-0403D Flange for skimmer
A 56176 | POLISHED, DIN 1.4462,
duplex

B37-0405D Flange for skimmer
A 11 311-13 | POLISHED,
DIN 1.4462, duplex

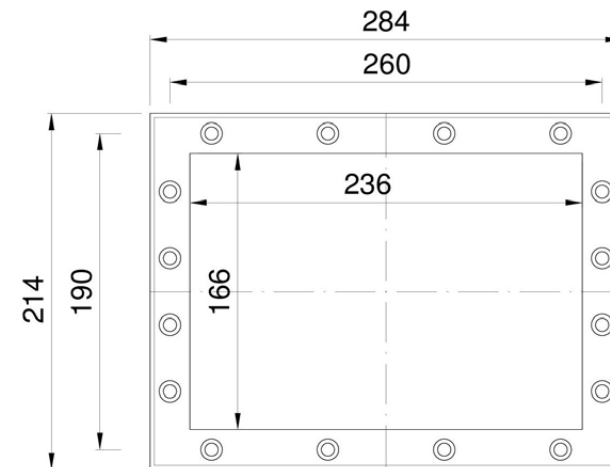
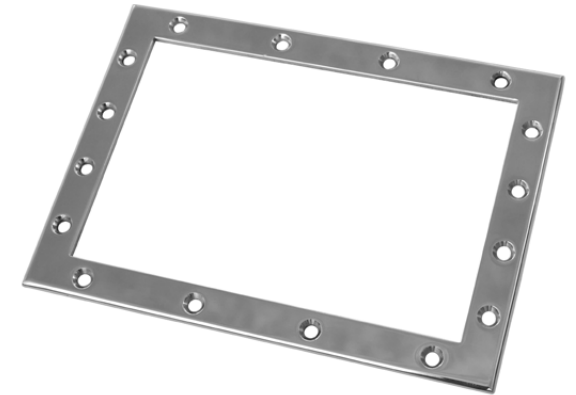
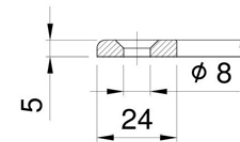


B37-0405

B37-0402

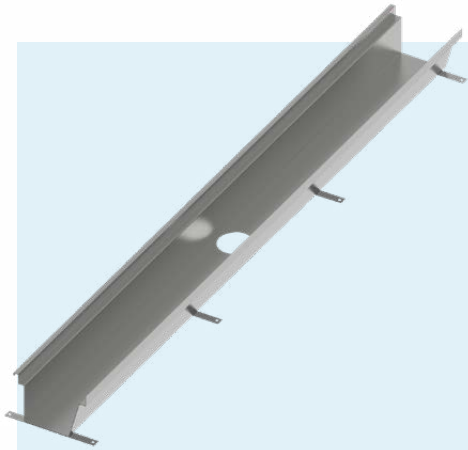


B37-0403



B37-0409

STAINLESS STEEL OVERFLOW GUTTERS FOR FOIL POOLS



Code

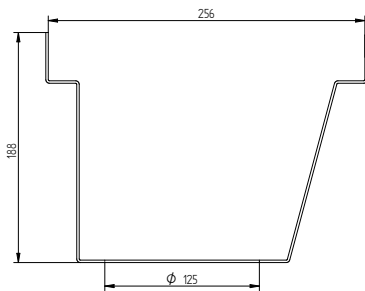
N05-0001 Gutter A1 | stainless steel DIN 1.4404, AISI 316L, surface finish: MATTE

N05-0002 Gutter B1 | stainless steel DIN 1.4404, AISI 316L, surface finish: MATTE

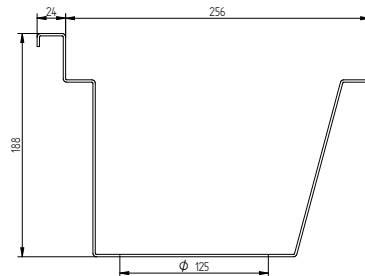
N05-0010 Gutter R1 (HOME)
stainless steel DIN 1.4404, AISI 316L, surface finish: MATTE

DIMENSIONS: as shown in drawing
length as needed

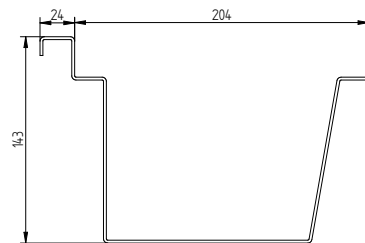
The customer will ensure construction readiness, the assembly company welds and aligns gutter on site.



N05-0002

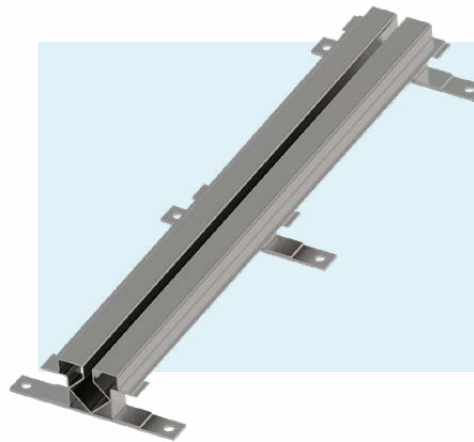


N05-0001



N05-0010

STAINLESS STEEL DRAINAGE GUTTER

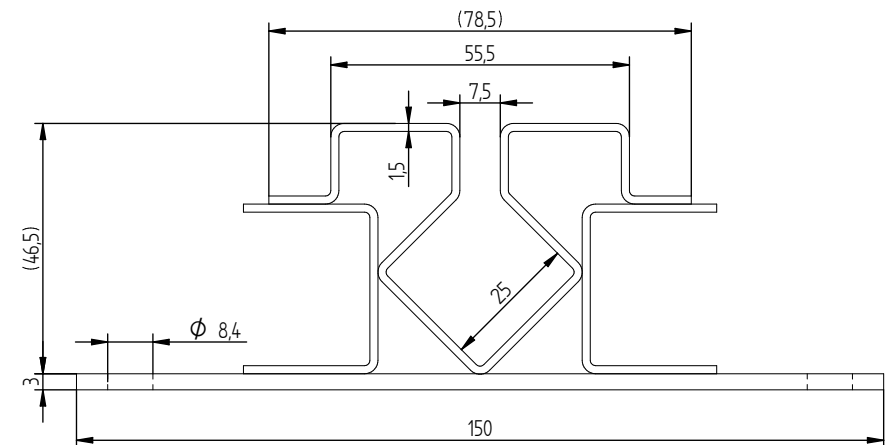


Code

N05-0030 Drainage gutter stainless steel | stainless steel DIN 1.4404, AISI 316L, surface finish: MATTE

DIMENSIONS: as shown in drawing
length as needed

The gutter is intended for the drainage of waste water around the pool from the paving to the sewer.





STAINLESS STEEL SUCTION, SUCTION NOZZLES, OUTLETS

SUCTION

SUCTION NOZZLES

VACUUM POINT NOZZLE

STAINLESS STEEL MAIN DRAINS

STAINLESS STEEL INLET NOZZLES WITH BALL

WRENCH FOR NOZZLES

POOLWALL LEAD-THROUGH



STAINLESS STEEL SUCTION

Code

B37-0200 Suction for water attractions – use for ceramic tiles stainless steel DIN 1.4404, AISI 316L, surface finish of the visible part: POLISHED

B37-0201 Suction for water attractions – use for foil pools | stainless steel DIN 1.4404, AISI 316L, surface finish of the visible part: POLISHED

B37-0200

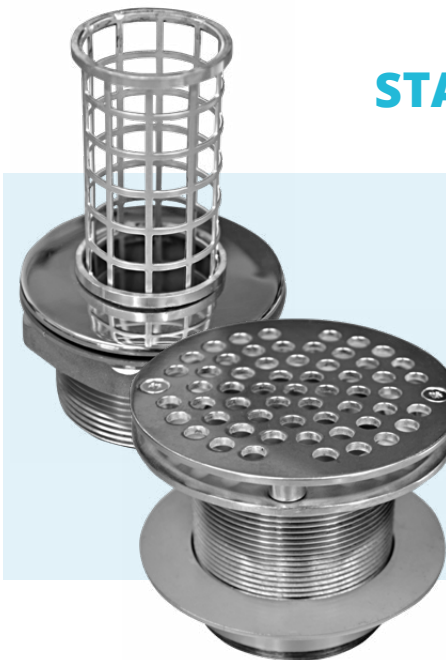
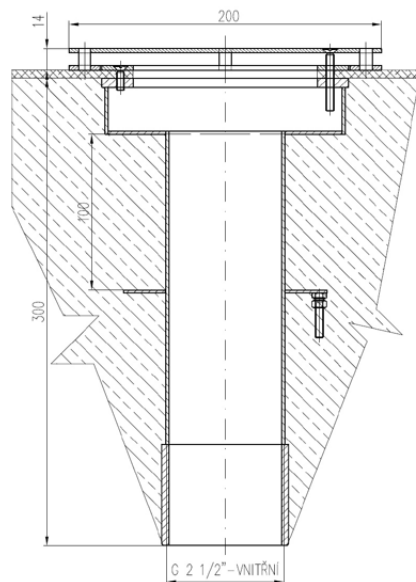
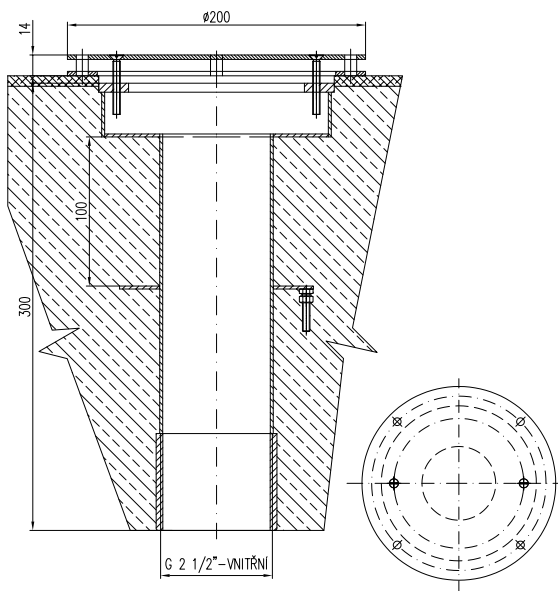
WEIGHT: 4,2 kg

CONNECTION: inner thread G 2,5"

B37-0201

WEIGHT: 4,5 kg

CONNECTION: inner thread G 2,5"



STAINLESS STEEL SUCTION

Code

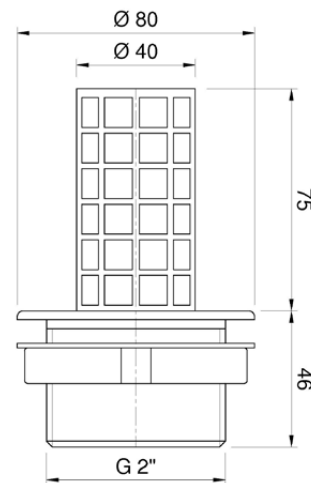
N03-0025 Outlet 80/2" | stainless steel DIN 1.4404, AISI 316L, surface finish: MATTE

N03-0026 Suction 115/2,5" stainless steel DIN 1.4404, AISI 316L, surface finish: POLISHED

N03-0025

WEIGHT: 1 kg

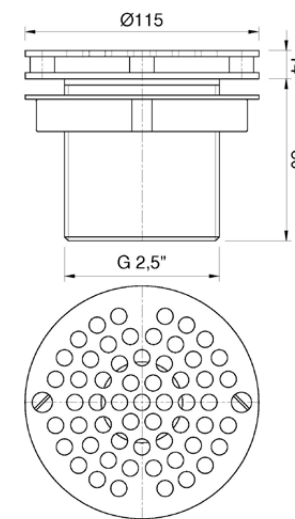
CONNECTION: inner thread G 2,5"



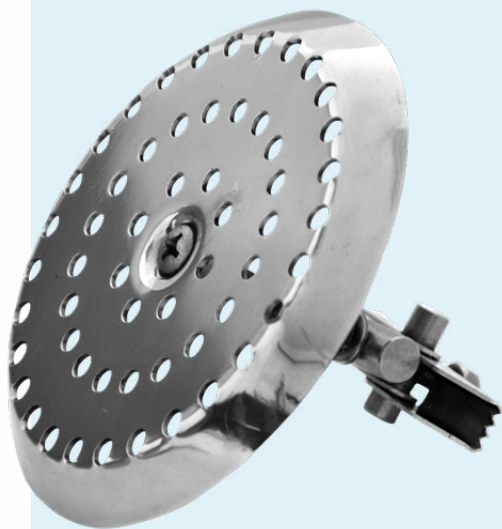
N03-0026

WEIGHT: 0,5 kg

CONNECTION: inner thread G 2"



STAINLESS STEEL SUCTION NOZZLES



Code

N03-0001 Stainless steel suction nozzle for piping \varnothing 50 mm | stainless steel DIN 1.4404, AISI 316L, surface finish: POLISHED

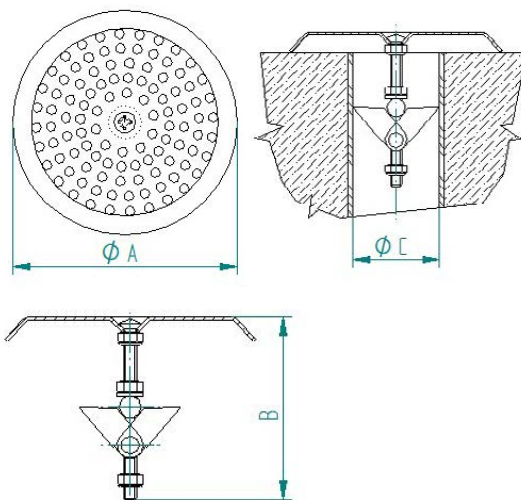
N03-0004 Stainless steel suction nozzle for piping \varnothing 63 mm | stainless steel DIN 1.4404, AISI 316L, surface finish: POLISHED

N03-0007 Stainless steel suction nozzle for piping \varnothing 75 mm | stainless steel DIN 1.4404, AISI 316L, surface finish: POLISHED

N03-0010 Stainless steel suction nozzle for piping \varnothing 90 mm | stainless steel DIN 1.4404, AISI 316L, surface finish: POLISHED

WEIGHT: 0,25 kg

KÓD	\varnothing A (mm)	B (mm)	\varnothing C (mm)
N03-0001	115	80	50
N03-0004	115	80	63
N03-0007	115	80	75
N03-0010	115	80	90



STAINLESS STEEL SUCTION NOZZLES



Code

N03-0002 Bottom stainless steel nozzle „FISSA” for piping \varnothing 50 mm | stainless steel DIN 1.4404, AISI 316L, surface finish: POLISHED

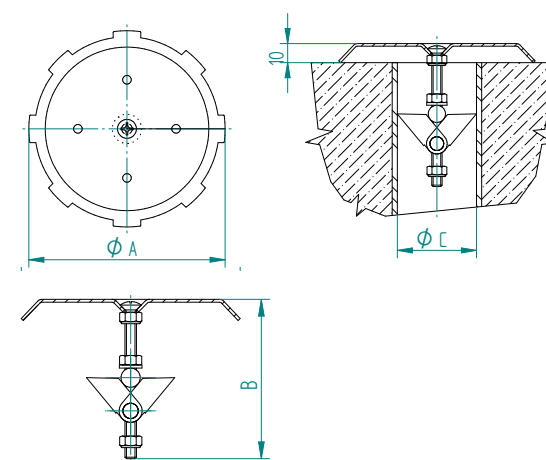
N03-0005 Bottom stainless steel nozzle „FISSA” for piping \varnothing 63 mm | stainless steel DIN 1.4404, AISI 316L, surface finish: POLISHED

N03-0008 Bottom stainless steel nozzle „FISSA” for piping \varnothing 75 mm | stainless steel DIN 1.4404, AISI 316L, surface finish: POLISHED

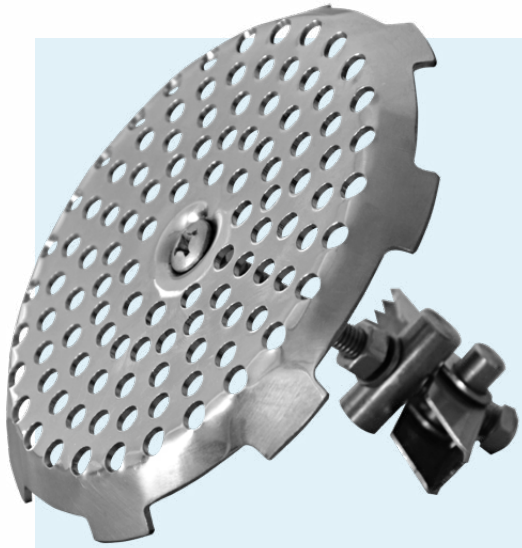
N03-0011 Bottom stainless steel nozzle „FISSA” for piping \varnothing 90 mm | stainless steel DIN 1.4404, AISI 316L, surface finish: POLISHED

WEIGHT: 0,25 kg

KÓD	\varnothing A (mm)	B (mm)	\varnothing C (mm)
N03-0002	115	80	50
N03-0005	115	80	63
N03-0008	115	80	75
N03-0011	115	80	90



STAINLESS STEEL SUCTION NOZZLES



Code

N03-0003 Bottom stainless steel nozzle „SUCTION C“ for piping
Ø 50 mm | stainless steel DIN 1.4404, AISI 316L, surface finish: POLISHED

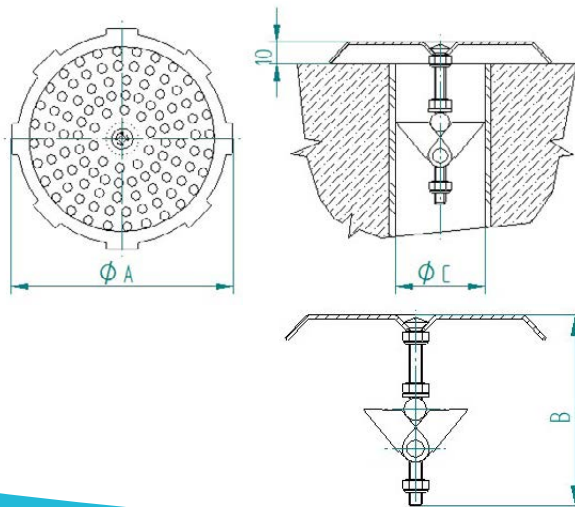
N03-0006 Bottom stainless steel nozzle „SUCTION C“ for piping
Ø 63 mm | stainless steel DIN 1.4404, AISI 316L, surface finish: POLISHED

N03-0009 Bottom stainless steel nozzle „SUCTION C“ for piping
Ø 75 mm | stainless steel DIN 1.4404, AISI 316L, surface finish: POLISHED

N03-0012 Bottom stainless steel nozzle „SUCTION C“ for piping
Ø 90 mm | stainless steel DIN 1.4404, AISI 316L, surface finish: POLISHED

WEIGHT: 0,25 kg

CODE	Ø A (mm)	B (mm)	Ø C (mm)
B03-0003	115	80	50
B03-0006	115	80	63
B03-0009	115	80	75
B03-0012	115	80	90



STAINLESS STEEL VACUUM POINT NOZZLE



Code

N03-0014 Vacuum point nozzle
 stainless steel DIN 1.4404, AISI 316L, surface finish: POLISHED

N03-0029 Vacuum point nozzle cover | stainless steel DIN 1.4404, AISI 316L, surface finish: POLISHED

WEIGHT: 0,85 kg

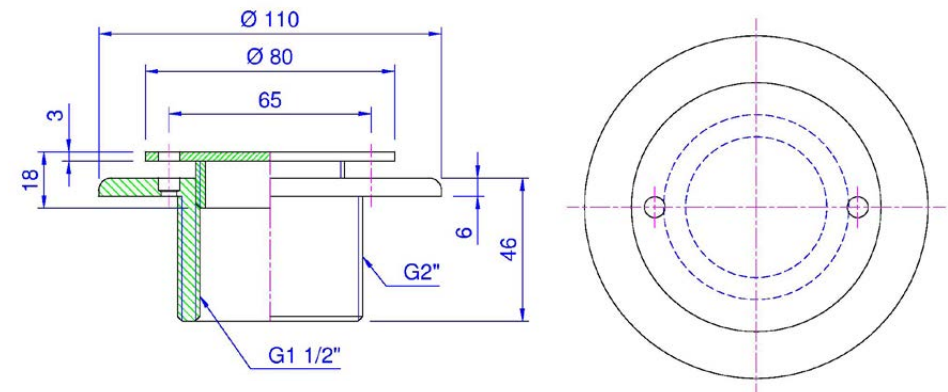
MAXIMUM FLOW: 4,5 m³

CONNECTION:

outer thread G 2"
 inner thread G 1 ½"

ACCESSORIES:

N03-0033 Wrench for vacuum point nozzles, with ball | stainless steel DIN 1.4404, AISI 316L, surface finish: POLISHED



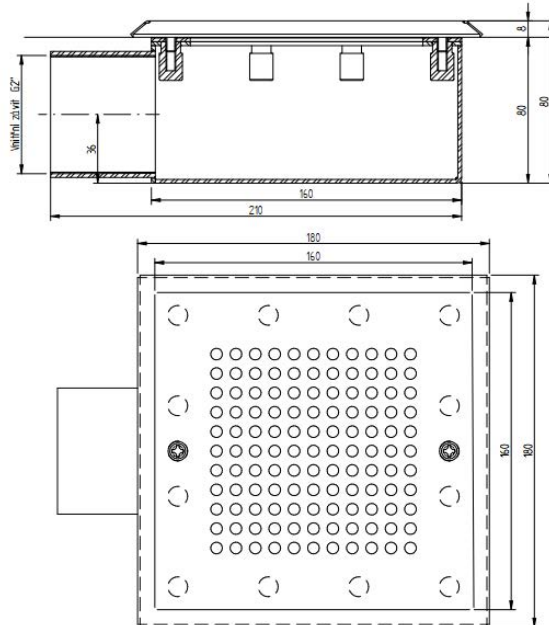
MAIN DRAIN SQUARE



Code

N03-1090 Main drain square for foil pools | stainless steel DIN 1.4404, AISI 316L, surface finish: POLISHED

N03-1091 Main drain square for ceramic tiles | stainless steel DIN 1.4404, AISI 316L, surface finish: POLISHED



WEIGHT: 4 kg

CONNECTION:
inner thread G 2"

MAIN DRAIN CIRCULAR



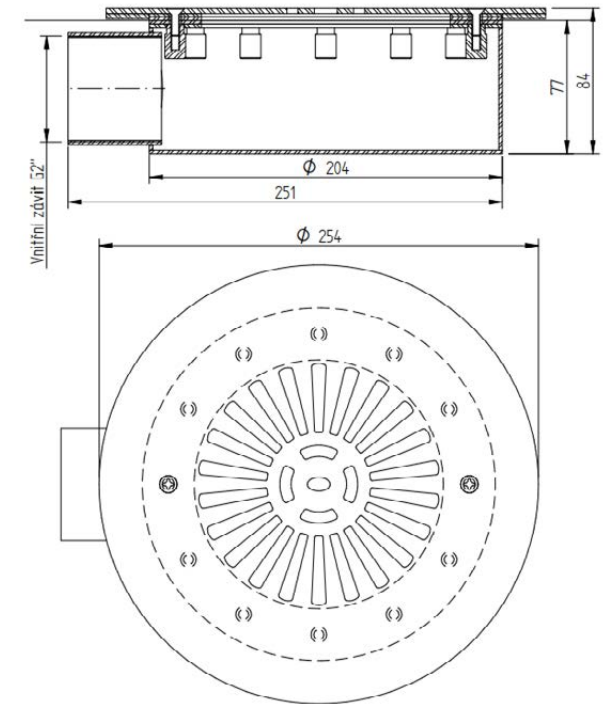
Code

N03-1092 Main drain circular for foil pools | stainless steel DIN 1.4404, AISI 316L, surface finish: POLISHED

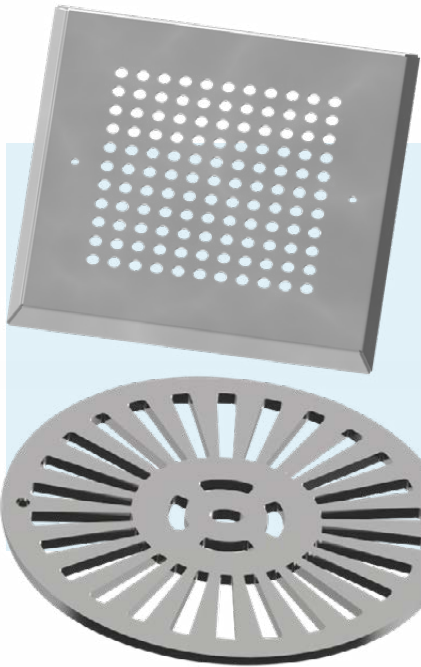
N03-1093 Main drain circular for ceramic tiles | stainless steel DIN 1.4404, AISI 316L, surface finish: POLISHED

WEIGHT: 4 kg

CONNECTION:
inner thread G 2"



STAINLESS STEEL GRIDS FOR MAIN DRAIN

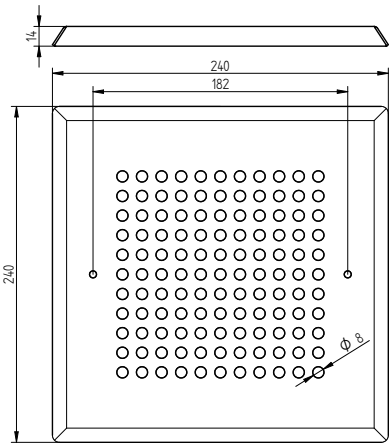


Code

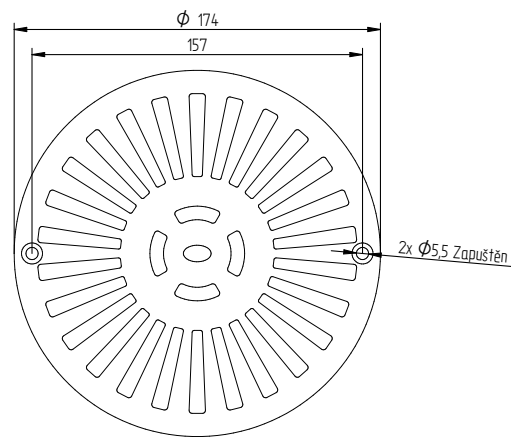
B21-2550 Grid for main drain - square | stainless steel DIN 1.4404, AISI 316L, surface finish of the visible part POLISHED

N03-2551 Grid for main drain - circular | stainless steel DIN 1.4404, AISI 316L, surface finish of the visible part POLISHED

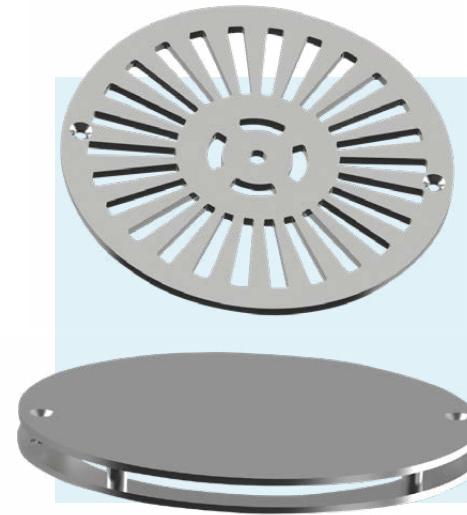
B21-2550
DIMENSIONS: 240 x 240 mm
WEIGHT: 1 kg



N03-2551
DIMENSIONS: Ø 174 mm
WEIGHT: 1 kg



STAINLESS STEEL GRIDS FOR MAIN DRAIN

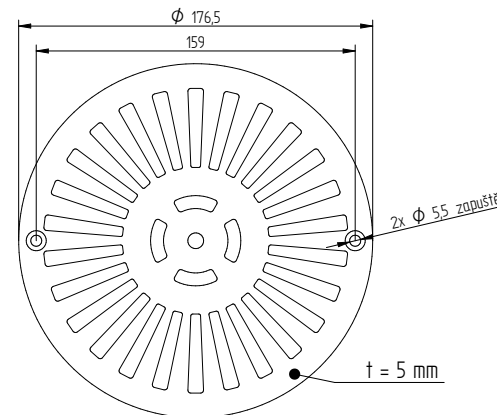


Code

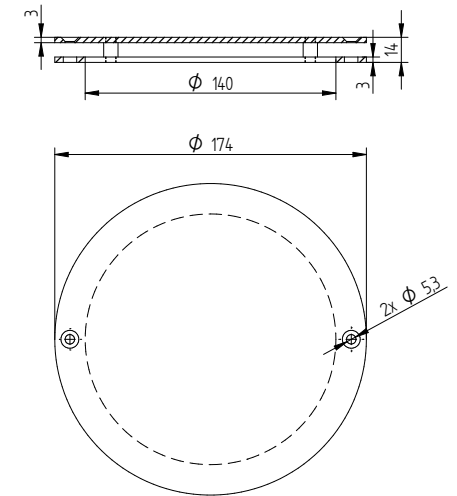
N03-2052 Grid for main drain - square (A 00270) | stainless steel DIN 1.4404, AISI 316L, surface finish of the visible part POLISHED

N03-2053 Suction for main drain (A 00271) | stainless steel DIN 1.4404, AISI 316L, surface finish of the visible part POLISHED

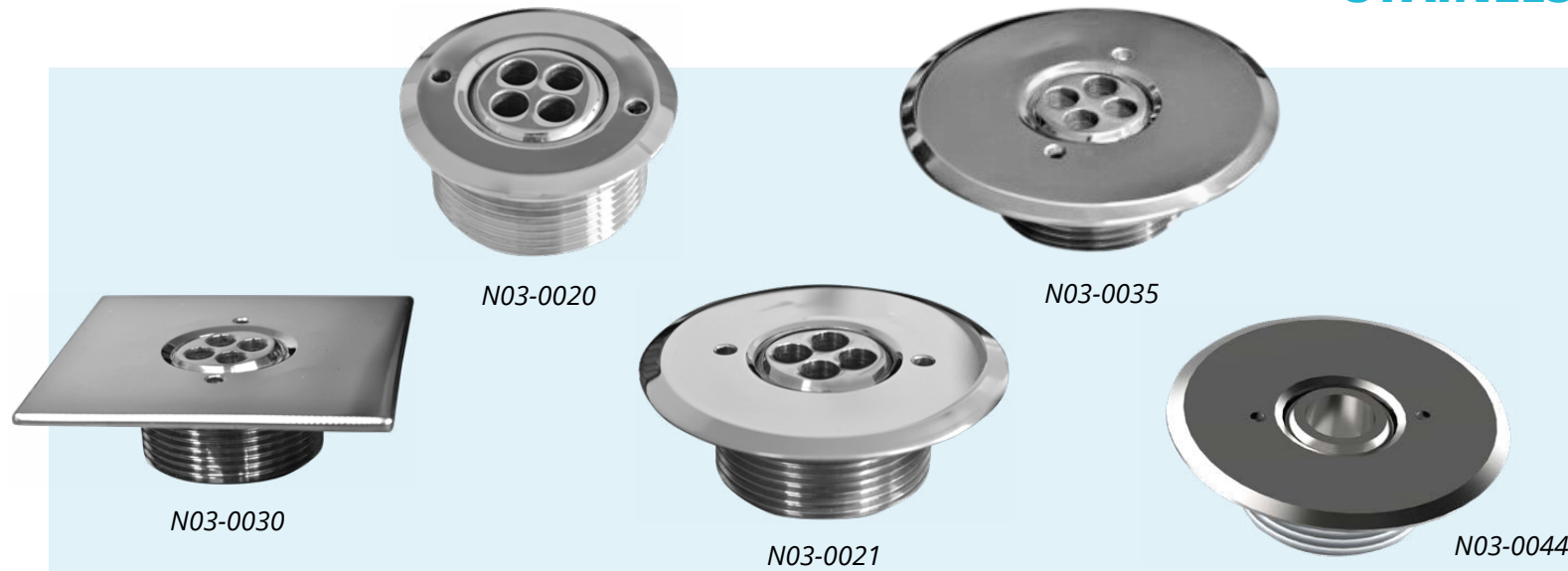
N03-2052
DIMENSIONS: Ø 176,5 mm
WEIGHT: 0,7 kg



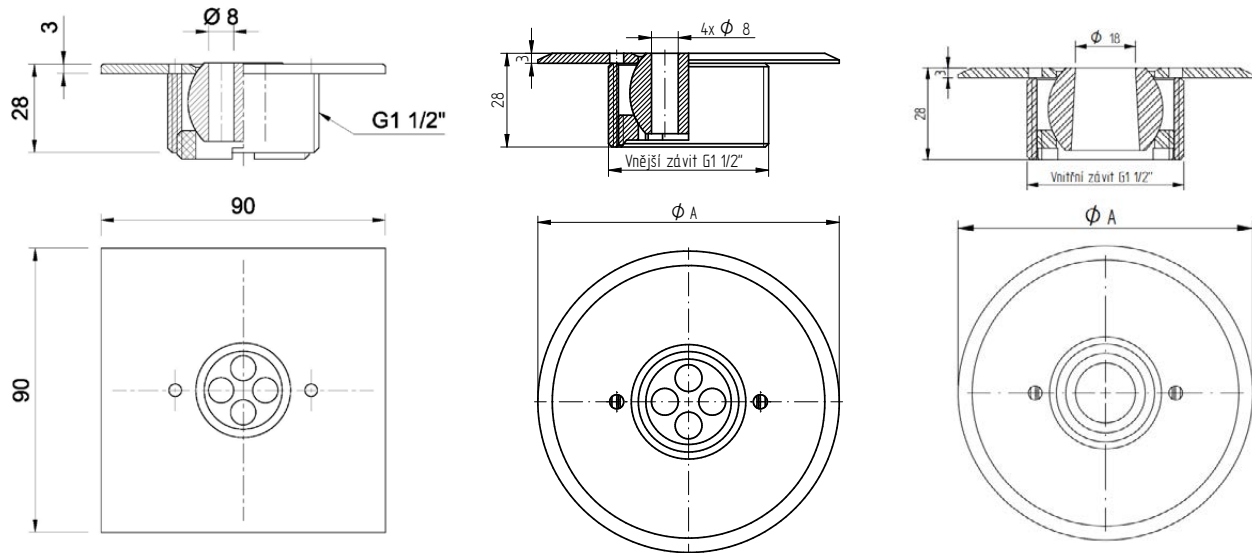
N03-2053
DIMENSIONS: Ø 174 mm
WEIGHT: 0,8 kg



STAINLESS STEEL INLET NOZZLES



Stainless steel inlet nozzles with ball DIN 1.4404, AISI 316L, surface finish of the Visible part: POLISHED.



N03-0030

N03-0020 | N03-0021 | N03-0035

N03-0040 | N03-0044

CODE	$\varnothing A$ (mm)	Nozzle wrench	Weight (kg)
N03-0020	60	N03-0033	0,25
N03-0021	80	N03-0033	0,3
N03-0030	90x90	N03-0033	0,4
N03-0035	90	N03-0033	0,35
N03-0040	105	N03-0033	0,4
N03-0044	90	N03-0033	0,35

ACCESSORIES:

Nozzle wrench – see page 40.

STAINLESS STEEL INLET NOZZLES



Code

N03-0016 Stainless steel square nozzle with ball „P“ 4 holes
stainless steel DIN 1.4404, AISI 316L, surface finish of the visible part POLISHED

N03-0019 Stainless steel square nozzle with ball „A“ 4 holes
stainless steel DIN 1.4404, AISI 316L, surface finish of the visible part POLISHED

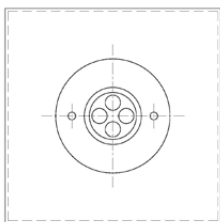
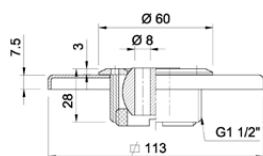
N03-0016

DIMENSIONS: 113 x 113 mm

WEIGHT: 0,5 kg

ACCESSORIES:

N03-0033 Wrench for suction point nozzle with ball



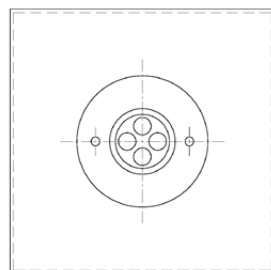
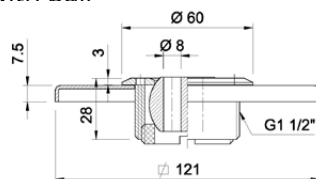
N03-0019

DIMENSIONS: 121 x 121 mm

WEIGHT: 0,55 kg

ACCESSORIES:

N03-0033 Wrench for suction point nozzle with ball

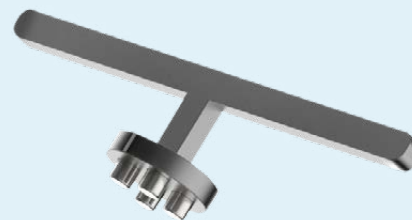


ACCESSORIES FOR NOZZLES



Code

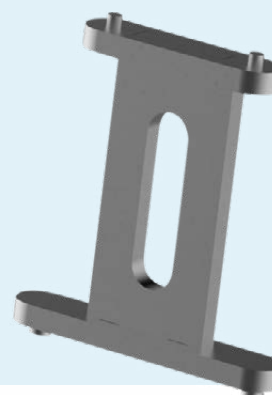
N03-0027 Wrench for nozzles 36/1/2"
0,1 kg



N03-0028 Wrench for nozzles 80/1,5"
0,1 kg

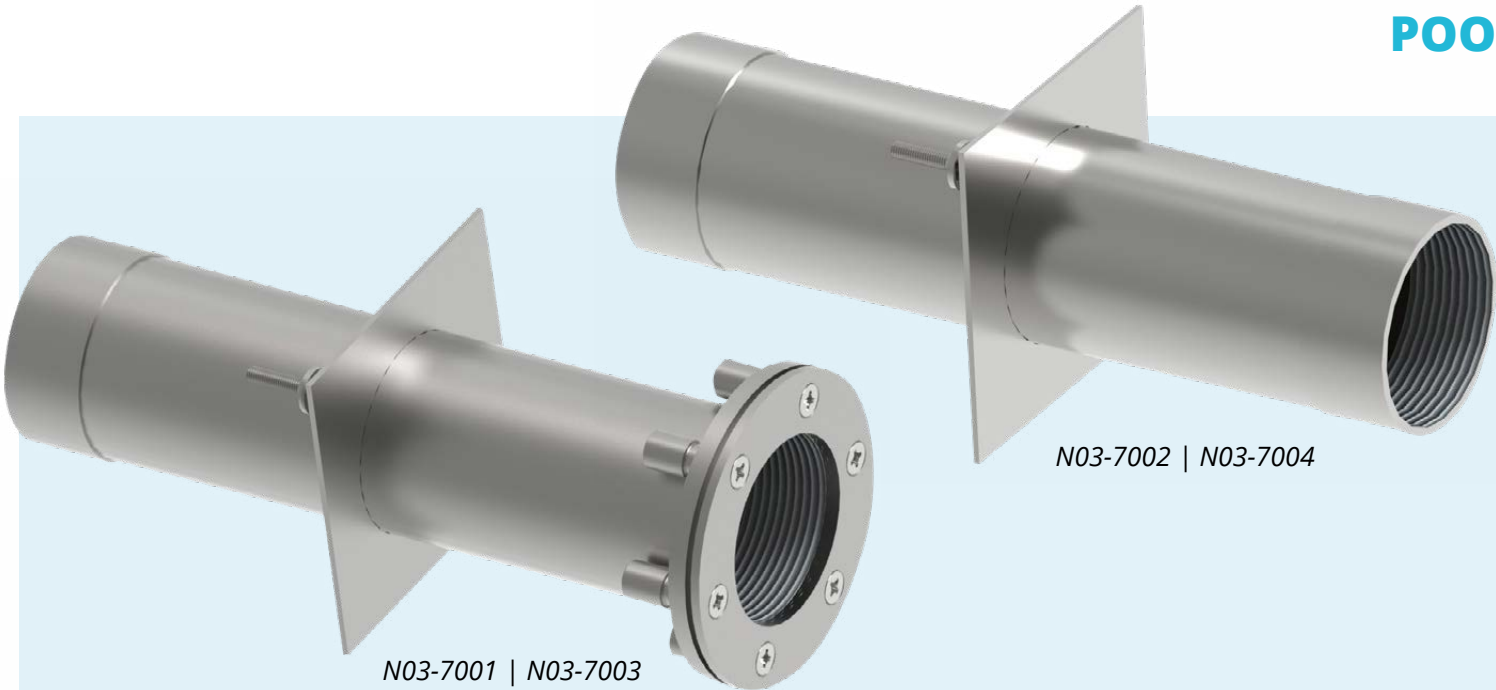


N03-0032 Wrench for nozzles 90/17/2"
0,15 kg



N03-0033 Wrench for nozzles (vacuum point nozzle and with ball)
0,2 kg

POOLWALL LEAD - THROUGHS



Code

N03-7001 Poolwall lead-through for nozzles G1 1/2" for foil pools
stainless steel DIN 1.4404, AISI 316L

N03-7002 Poolwall lead-through for nozzles G1 1/2" for ceramic tiles
stainless steel DIN 1.4404, AISI 316L

N03-7003 Poolwall lead-through for nozzles G2" for foil pools | stainless steel DIN 1.4404, AISI 316L

N03-7004 Poolwall lead-through for nozzles G2" for ceramic tiles
stainless steel DIN 1.4404, AISI 316L

N03-7001 | N03-7003

N03-7002 | N03-7004

N03-7001

WEIGHT: 1 kg

CONNECTION: inner thread G1 1/2"

N03-7003

WEIGHT: 1,5 kg

CONNECTION: inner thread G2"

N03-7002

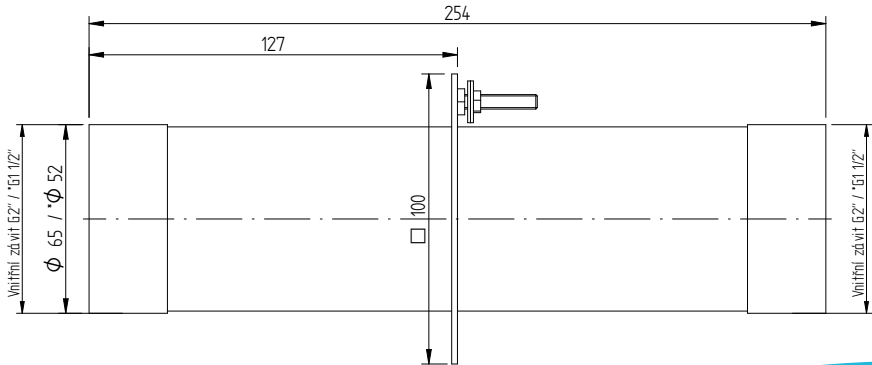
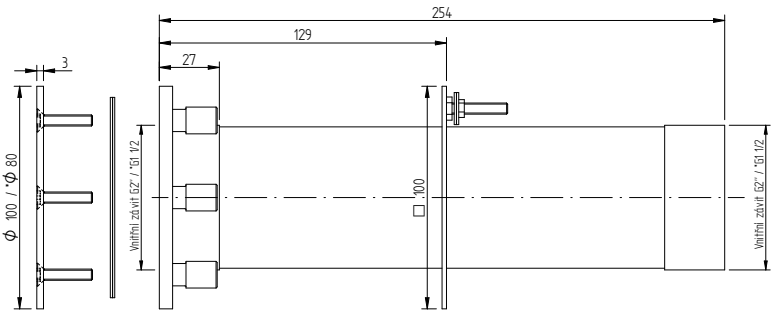
WEIGHT: 0,7 kg

CONNECTION: inner thread G1 1/2"

N03-7004

WEIGHT: 1 kg

CONNECTION: inner thread G2"





OTHER STAINLESS STEEL PRODUCTS

HANDRAIL

STAINLESS STEEL STAIRS AND LADDERS

SUMPS FOR HEAT SENSORS

EARTHING

LIGHTS

STAINLESS STEEL HANDRAIL



Finishing of the surface*: Matte or Polished.

*According to customers request Handrail up to 6 m length is possible to send via standard forwarder. Handrail longer than 6m is necessary to send individually via forwarder.

Material: stainless steel DIN 1.4404, AISI 316L

Code

N02-0011 Handrail Ø 40 / 1000 mm 1,8 kg

N02-0012 Handrail Ø 40 / 1500 mm 2,7 kg

N02-0013 Handrail Ø 40 / 2000 mm 3,6 kg

N02-0014 Handrail Ø 40 / 2500 mm 4,5 kg

N02-0015 Handrail Ø 40 / 3000 mm 5,4 kg

N02-0016 Handrail Ø 40 / 3500 mm 6,3 kg

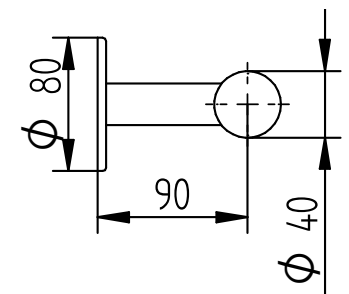
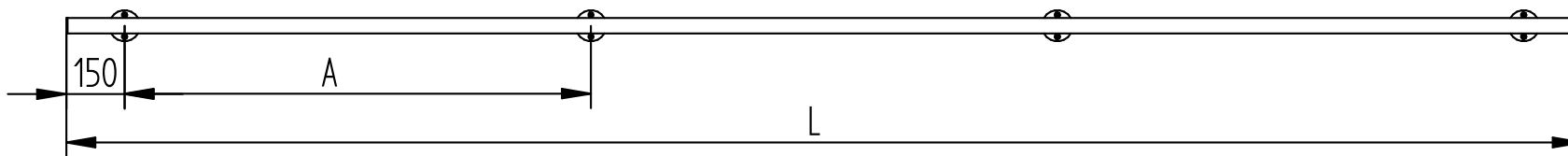
N02-0020 Handrail Ø 40 / 4000 mm 7 kg

N02-0021 Handrail Ø 40 / 4500 mm 8 kg

N02-0022 Handrail Ø 40 / 5000 mm 8,9 kg

N02-0023 Handrail Ø 40 / 5500 mm 9,8 kg

N02-0011 Handrail Ø 40 / 6000 mm 10,6 kg



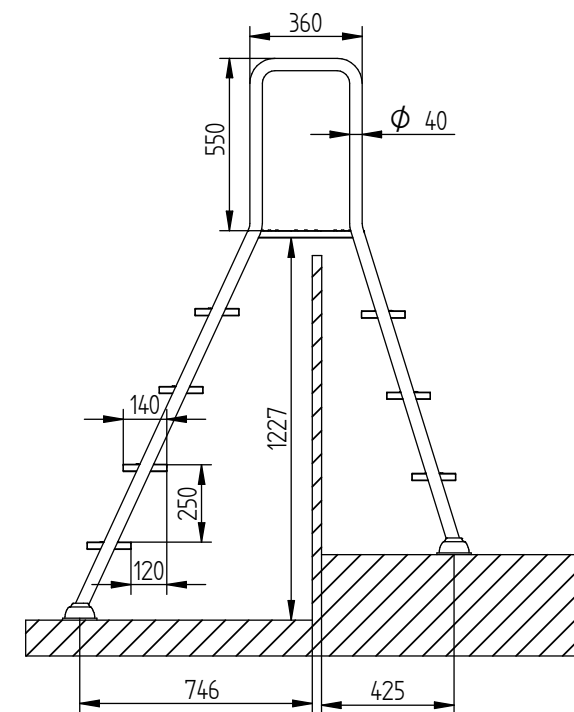
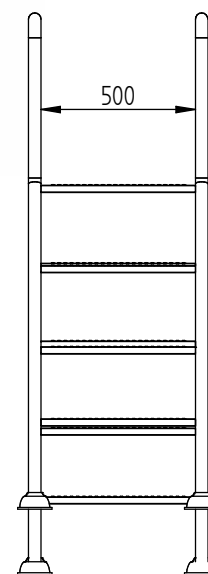
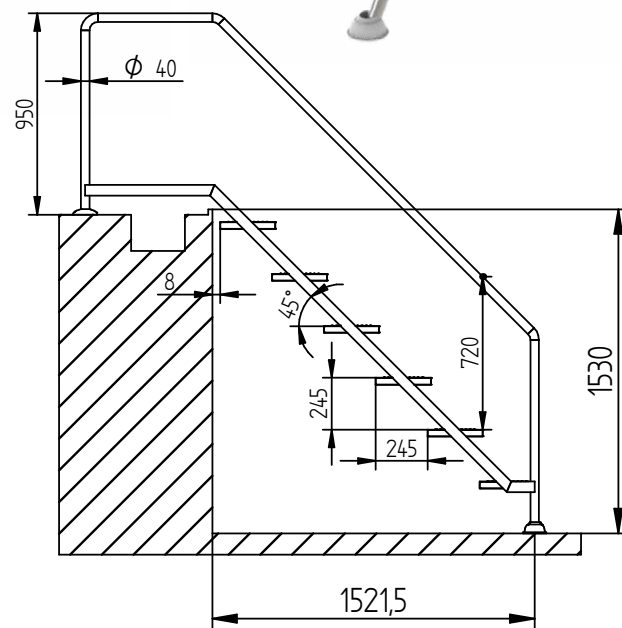
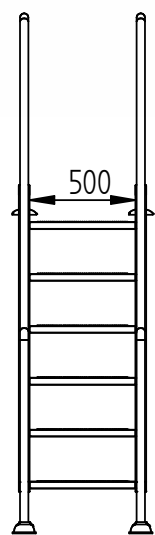
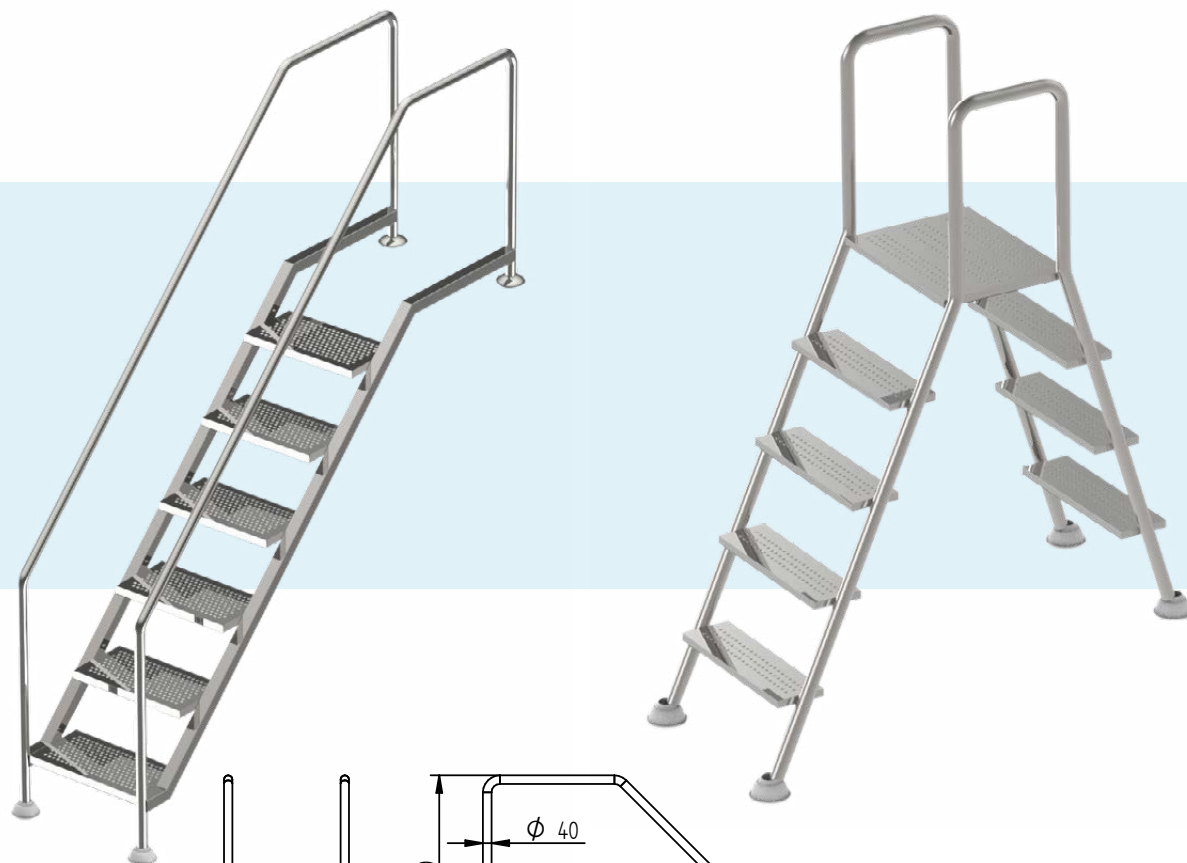
STAIRS

Code

**B31-4001 Stairs over the overflow gutter
6 steps**

B31-4100 Stairs „Stepladder,, 4/3 steps

Stainless steel stairs for pools, surface finish:
POLISHED, material: Stainless steel DIN 1.4404,
AISI 316L, steps are made of stainless steel with
antislip surface.



STAINLESS STEEL LADDER WITH HANDLE



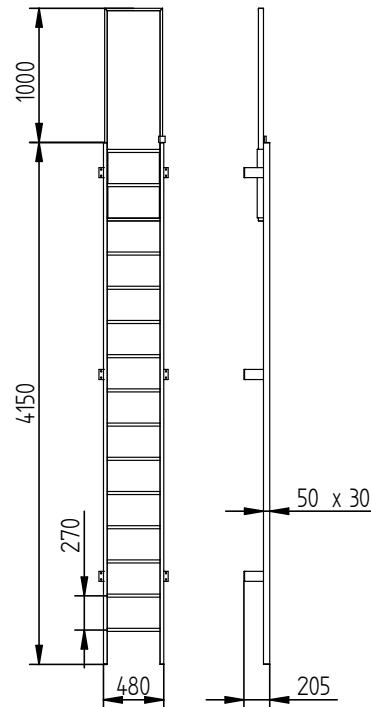
Code

B31-4500 Stainless steel ladder with handle | DIN 1.4301, AISI 304

Vertical rungs have plates for anchoring in concrete. The ladder is supplied with connecting material. The handle can be extended up to 1000 mm.

DIMENSIONS: see drawing - can be specified according to customer wishes

WEIGHT: 50 kg

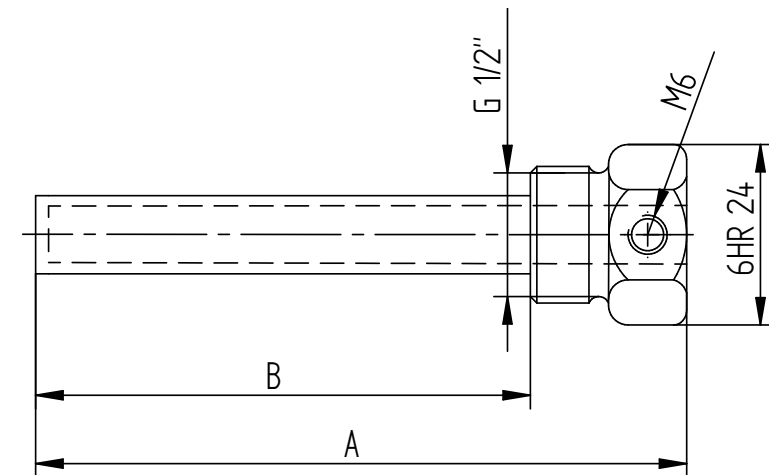


SUMPS FOR HEAT SENSORS



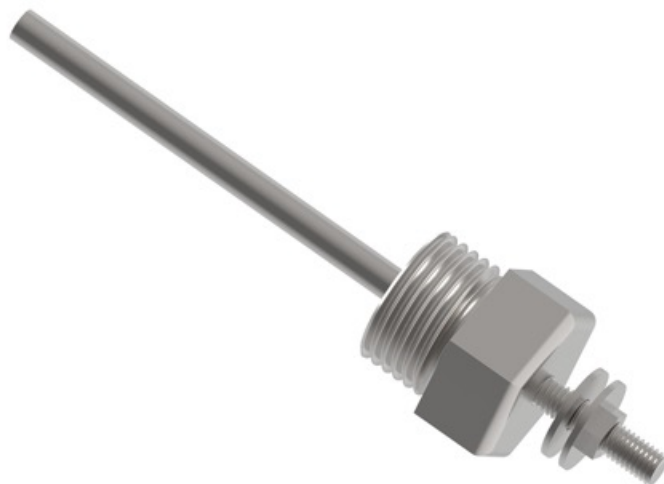
Sumps for heat sensors are made of stainless steel DIN 1.4404, AISI 316L.

CODE	A (mm)	B (mm)	Weight (kg)
N03-1050	60	36	0,9
N03-1055	80	56	1
N03-1060	100	76	1,1
N03-1065	120	96	1,2





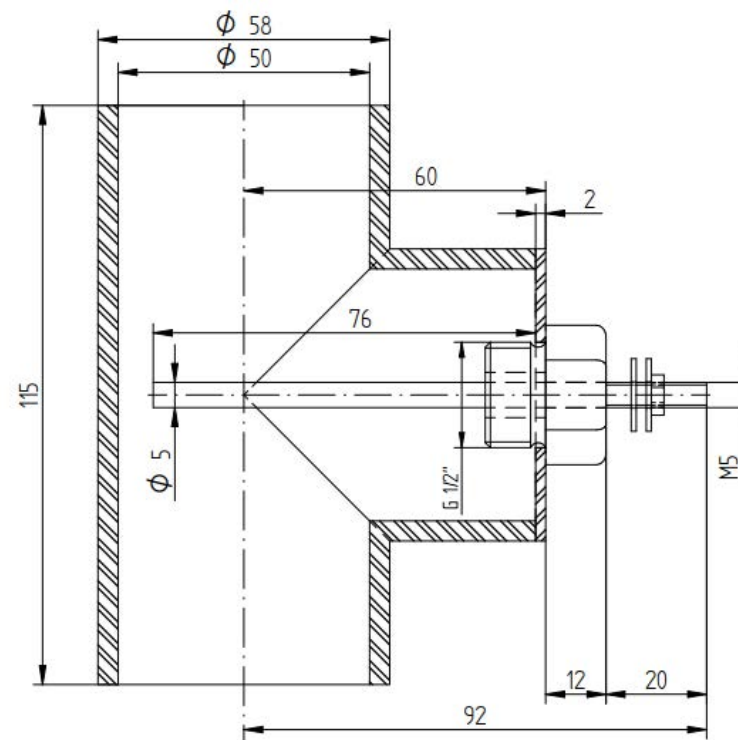
COLOUR: grey
CONNECTION: \varnothing 50 mm



Code

N03-180 Earthing

It serves to ground the stainless steel parts of the pool





B21-3117



B21-3112



B21-3113



B21-3114

Code

B21-3116 Niche lamp $\varnothing 100$ for ceramic tiles | IP68, without bulb

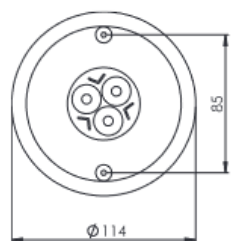
B21-3117 Niche lamp $\varnothing 100$ for foil pools | IP68, without bulb

B21-3112 Led lamp $\varnothing 100$ white colour | 4x1W, 12V, MR16, DC

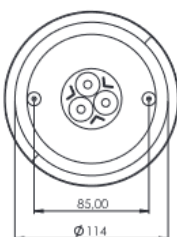
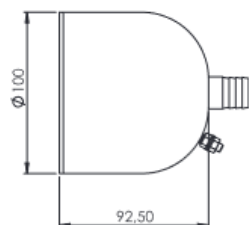
B21-3113 Niche lamp $\varnothing 270$ for tiled pools | IP68, without bulb

B21-3118 Niche lamp $\varnothing 270$ for foil pools | IP68, without bulb

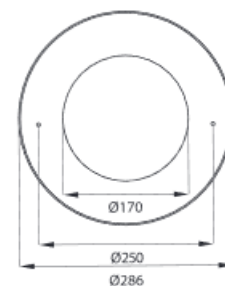
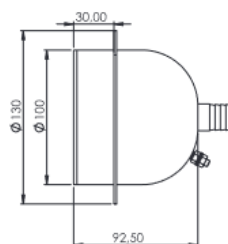
B21-3114 Led lamp $\varnothing 270$ white colour | 35W, 12V, AC



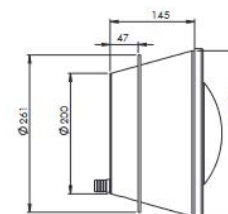
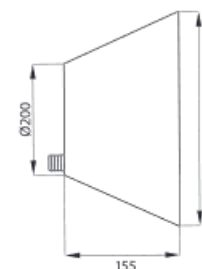
B21-3117



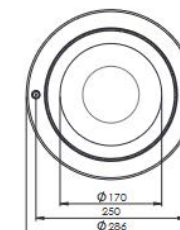
B21-3116



B21-3118



B21-3113





POOL COVERING REEL SYSTEM

**REEL SYSTEM MANUAL – FOR SOLAR COVER
COVERING AREA UP TO 60 m²**

**REEL SYSTEM MANUAL „PLUS“ FOR SOLAR COVER
COVERING AREA UP TO 120 m²**

ACCESSORIES FOR REEL SYSTEMS

SOLAR COVER 400 mic

SOLAR COVER 500 mic

ACCESSORIES FOR SOLAR COVERS

REEL SYSTEM FIXED



Fixed reel system provides ideal conditions for easy manipulation with the solar cover. Fixed reel system is firmly fixed to the ground with using dowels. Reel system is made of stainless steel DIN 1.4301, AISI-304. It is possible to order reel system together with pole as a package, or it's also possible to deliver each item separately.

Reel system is suitable for private pools up to 60 m².

Code

Z10-0001 Stainless steel reel system - fixed - set; telescopic pole 2,6 - 4,3 (5 sets) 12,5 kg

Z10-0004 Stainless steel reel system - fixed - set; telescopic pole 4,1 - 5,7 (7 sets) 15,5 kg

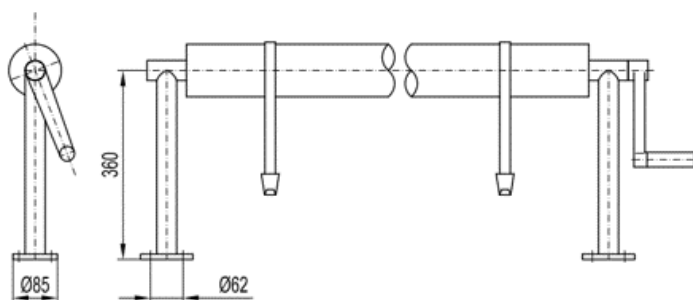
Z10-0007 Stainless steel reel system - fixed - set; telescopic pole 5,3 - 6,9 (9 sets) 17,5 kg

Z10-2001 Stainless steel stands for fixed reel system 2,5 kg

Z10-4111 Telescopic pole 2,6 - 4,3 m (5 sets) 9 kg

Z10-4121 Telescopic pole 4,1 - 5,7 m (7 sets) 12 kg

Z10-4131 Telescopic pole 5,3 - 6,9 m (9 sets) 14 kg



Set includes:

Stainless steel stand, telescopic pole, stainless steel bolts for securing anodized pole, set of straps and clips for fastening the solar cover, set of dowels and screws for fixing the reel system.

It's also possible to order additional items - more details on **page 62**.

REEL SYSTEM FIXED, WITH ADJUSTABLE HEIGHT



Code

Z10-0301 Stainless steel reel system – fixed, with adjustable height – set; telescopic pole 2,6 - 4,3 (5 sets) 14 kg

Z10-0304 Stainless steel reel system – fixed, with adjustable height – set; telescopic pole 4,1 - 5,7 (7 sets) 17 kg

Z10-0307 Stainless steel reel system – fixed, with adjustable height – set; telescopic pole 5,3 - 6,9 (9 sets) 19 kg

Z10-2301 Stainless steel reel system – fixed, with adjustable height – Set; telescopic pole – extra height 523 mm - 823 mm 5 kg

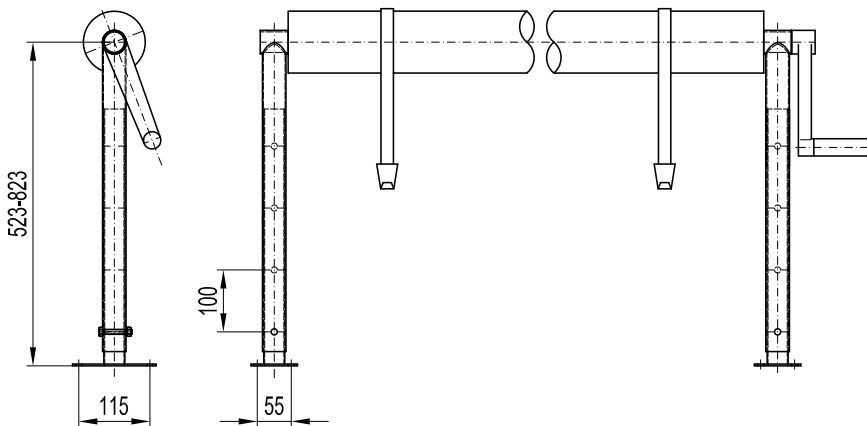
Z10-4111 Telescopic pole 2,6 - 4,3 m (5 sets) 9 kg

Z10-4121 Telescopic pole 4,1 - 5,7 m (7 sets) 12 kg

Z10-4131 Telescopic pole 5,3 - 6,9 m (9 sets) 14 kg

Reel system stand are height adjustable. Suitable for pools with pool tanks above the ground level. Telescopic stands can be adjusted to the height of the pool. Height of stands can be set between 523 and 823 mm. Reel system is made of stainless steel DIN 1.4301, AISI-304. It is possible to order reel system together with pole as a package, or it's also possible to deliver each item separately.

Reel system is suitable for private pools up to 60 m².



Set includes:

Stainless steel stand, telescopic pole, stainless steel bolts for securing anodized pole, set of straps and clips for fastening the solar cover, set of dowels and screws for fixing the reel system.

It's also possible to order additional items - more details on **page 62**.

REEL SYSTEM FIXED, WITH ADJUSTABLE HEIGHT - EXTRA HEIGHT



Code

Z10-0409 Stainless steel reel system - fixed, with adjustable height - set 1000 - 1300, telescopic pole 2,6 - 4,3 (5 sets) 15 kg

Z10-0410 Stainless steel reel system - fixed, with adjustable height - set 1000 - 1300, telescopic pole 4,1 - 5,7 (7 sets) 18 kg

Z10-0411 Stainless steel reel system - fixed, with adjustable height - set 1000 - 1300, telescopic pole 5,3 - 6,9 (9 sets) 20 kg

Z10-2302 Stainless steel reel system - fixed, with adjustable height 1000 mm - 1300 mm 6 kg

Z10-4111 Telescopic pole 2,6 - 4,3 m kompletní (5 sets) 10 kg

Z10-4121 Telescopic pole 4,1 - 5,7 m kompletní (7 sets) 13 kg

Z10-4131 Telescopic pole 5,3 - 6,9 m kompletní (9 sets) 15 kg

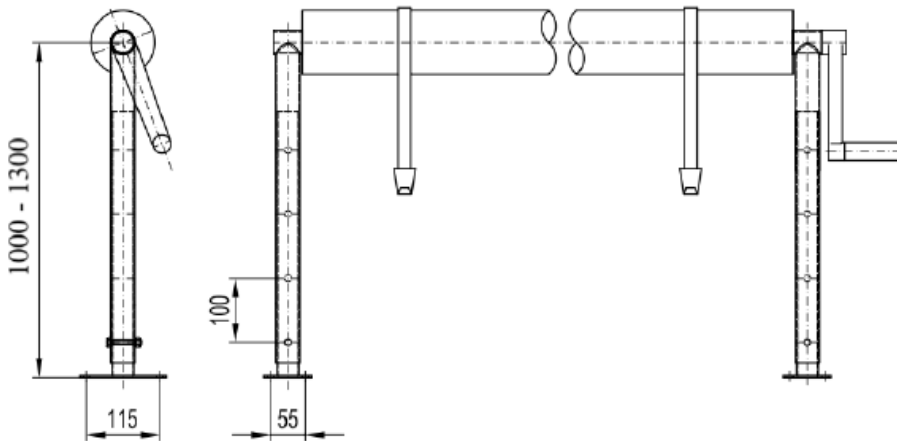
Reel system stand are height adjustable. Suitable for pools with pool tanks above the ground level. Telescopic stands can be adjusted to the height of the pool. Height of stands can be set between 1000 and 1300 mm. Reel system is made of stainless steel DIN 1.4301, AISI-304. It is possible to order reel system together with pole as a package, or it's also possible to deliver each item separately.

Reel system is suitable for private pools up to 60 m².

Set includes:

Stainless steel stand, telescopic pole, stainless steel bolts for securing anodized pole, set of straps and clips for fastening the solar cover, set of dowels and screws for fixing the reel system.

It's also possible to order additional items - more details on **page 62**.



REEL SYSTEM FIXED, ON THE WALL



This system is suitable for pools which are close to the wall. Stands are adjusted to be able to fix the reel system directly on the wall close to the pool. Fixed reel system provides ideal conditions for easy manipulation with the solar cover. Reel system is made of stainless steel DIN 1.4301, AISI-304. It is possible to order reel system together with pole as a package, or it's also possible to deliver each item separately.

Reel system is suitable for private pools up to 60 m².

Set includes:

Stainless steel stand, telescopic pole, stainless steel bolts for securing anodized pole, set of straps and clips for fastening the solar cover, set of dowels and screws for fixing the reel system.

It's also possible to order additional items - more details on [page 62](#).

Code

Z10-0401 Stainless steel reel system - fixed, on the wall - set, telescopic pole R 2,6 - 4,3 (5 sets) 13 kg

Z10-0402 Stainless steel reel system - fixed, on the wall - set, telescopic pole L 2,6 - 4,3 (5 sets) 13 kg

Z10-0404 Stainless steel reel system - fixed, on the wall - set, telescopic pole R 4,1 - 5,7 (7 sets) 16 kg

Z10-0405 Stainless steel reel system - fixed, on the wall - set, telescopic pole L 4,1 - 5,7 (7 sets) 16 kg

Z10-0407 Stainless steel reel system - fixed, on the wall - set, telescopic pole R 5,3 - 6,9 (9 sets) 18 kg

Z10-0408 Stainless steel reel system - fixed, on the wall - set, telescopic pole L 5,3 - 6,9 (9 sets) 18 kg

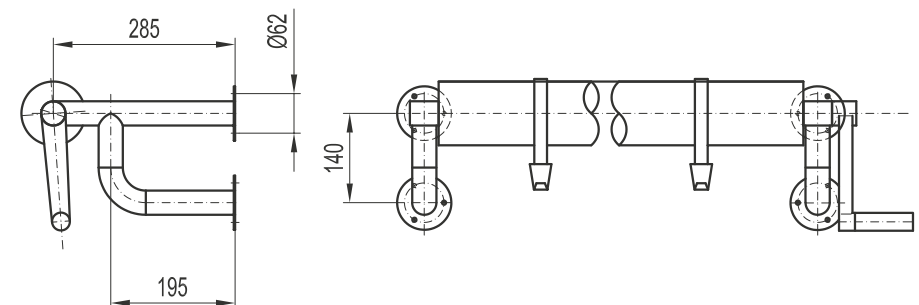
Z10-2401 Reel system, fixed, on the wall right - stainless steel stands 4 kg

Z10-2402 Reel system, fixed, on the wall left - stainless steel stands 4 kg

Z10-4111 Telescopic pole 2,6 - 4,3 m set (5 sets) 9 kg

Z10-4121 Telescopic pole 4,1 - 5,7 m set (7 sets) 12 kg

Z10-4131 Telescopic pole 5,3 - 6,9 m set (9 sets) 14 kg



REEL SYSTEM PORTABLE



Portable reel system with "T" stands are suitable for areas with lack of space around pool or for areas where is not feasible to use fixed reel systems. Portable reel system provides ideal conditions for easy manipulation and after rolling the cover it's possible to move with entire system to another place. Reel system is made of stainless steel DIN 1.4301, AISI-304. It is possible to order reel system together with pole as a package, or it's also possible to deliver each item separately.

Reel system is suitable for private pools up to 60 m².

Code

Z10-0101 Stainless steel reel system - portable - set, telescopic pole 2,6 - 4,3 (5 sets) 16 kg

Z10-0104 Stainless steel reel system - portable - set, telescopic pole 4,1 - 5,7 (7 sets) 19 kg

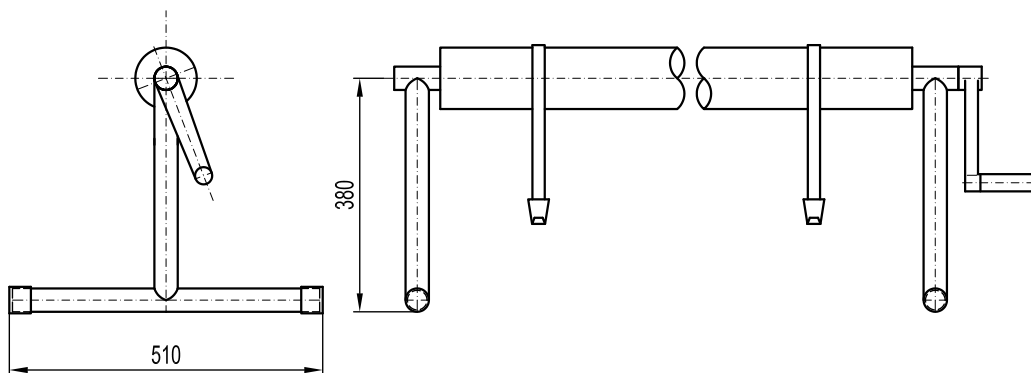
Z10-0107 Stainless steel reel system - portable - set, telescopic pole 5,3 - 6,9 (9 sets) 21 kg

Z10-2101 Stainless steel reel system - portable - stainless steel stands 5 kg

Z10-4111 Telescopic pole 2,6 - 4,3 m set (5 sets) 9 kg

Z10-4121 Telescopic pole 4,1 - 5,7 m set (7 sets) 12 kg

Z10-4131 Telescopic pole 5,3 - 6,9 m set (9 sets) 14 kg



Set includes:

Stainless steel stand, telescopic pole, stainless steel bolts for securing anodized pole, set of straps and clips for fastening the solar cover, set of dowels and screws for fixing the reel system.

It's also possible to order additional items - more details on **page 62**.

REEL SYSTEM MOBILE



Mobile reel system provides ideal conditions for easy manipulation and after rolling the cover it's possible to move with entire system to another place easily thanks to the plastic wheels on stand. Reel system is made of stainless steel DIN 1.4301, AISI-304. It is possible to order reel system together with pole as a package, or it's also possible to deliver each item separately.

Reel system is suitable for private pools up to 60 m².

Code

Z10-0201 Stainless steel reel system - mobile - set, telescopic pole 2,6 - 4,3 (5 sets) 14,5 kg

Z10-0204 Stainless steel reel system - mobile - set, telescopic pole 4,1 - 5,7 (7 sets) 17,5 kg

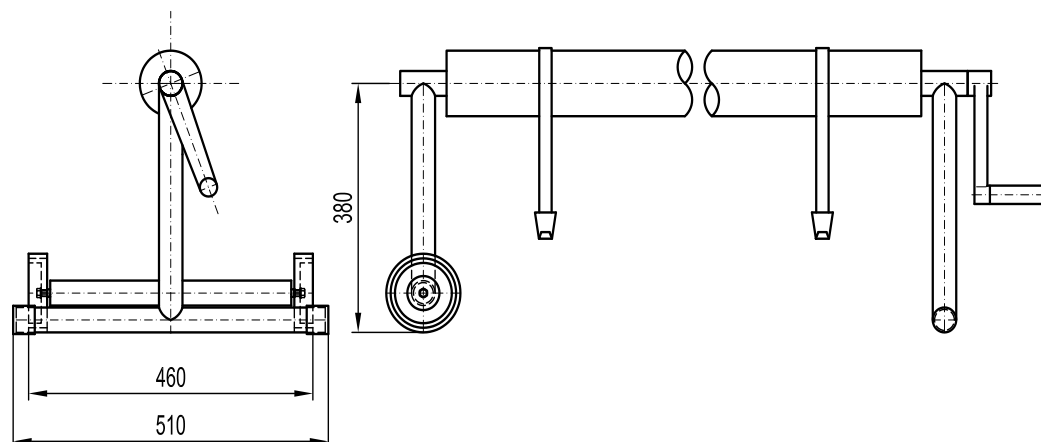
Z10-0207 Stainless steel reel system - mobile - set, telescopic pole 5,3 - 6,9 (9 sets) 19,5 kg

Z10-2201 Stainless steel reel system - mobile - stainless steel stands 5 kg

Z10-4111 Telescopic pole 2,6 - 4,3 m set (5 sets) 9 kg

Z10-4121 Telescopic pole 4,1 - 5,7 m set (7 sets) 12 kg

Z10-4131 Telescopic pole 5,3 - 6,9 m set (9 sets) 14 kg

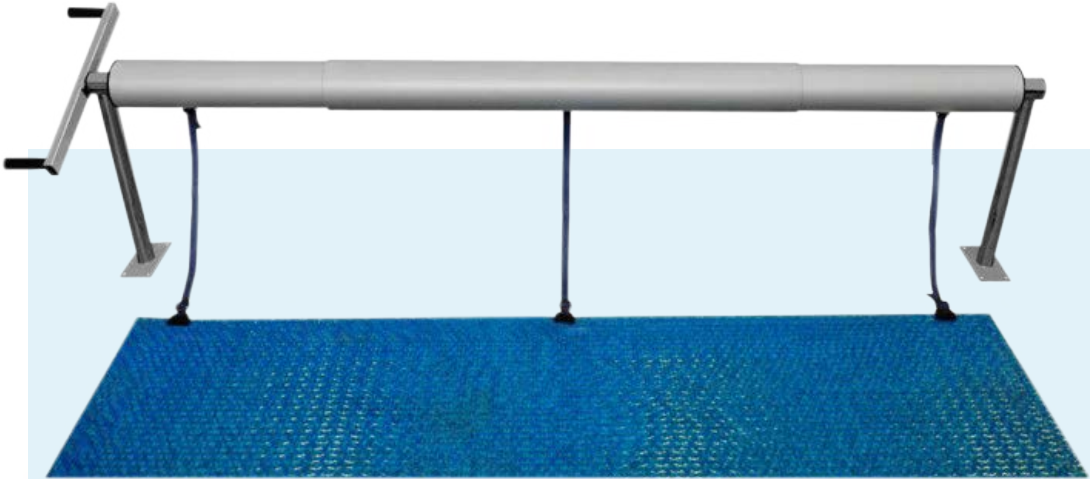


Set includes:

Stainless steel stand, telescopic pole, stainless steel bolts for securing anodized pole, set of straps and clips for fastening the solar cover, set of dowels and screws for fixing the reel system.

It's also possible to order additional items - more details on **page 62**.

REEL SYSTEM **FIXED PLUS**



Code

Z12-0001 Stainless steel reel system PLUS – fixed – set, telescopic pole 3,2 - 5,0 (10 sets) 21 kg

Z12-0003 Stainless steel reel system PLUS – fixed – set, telescopic pole 4,0 - 6,0 (12 sets) 24 kg

Z12-0005 Stainless steel reel system PLUS – fixed – set, telescopic pole 6,0 - 8,0 (16 sets) 29 kg

Z12-2001 Stainless steel reel system PLUS – fixed – stainless steel stands 7 kg

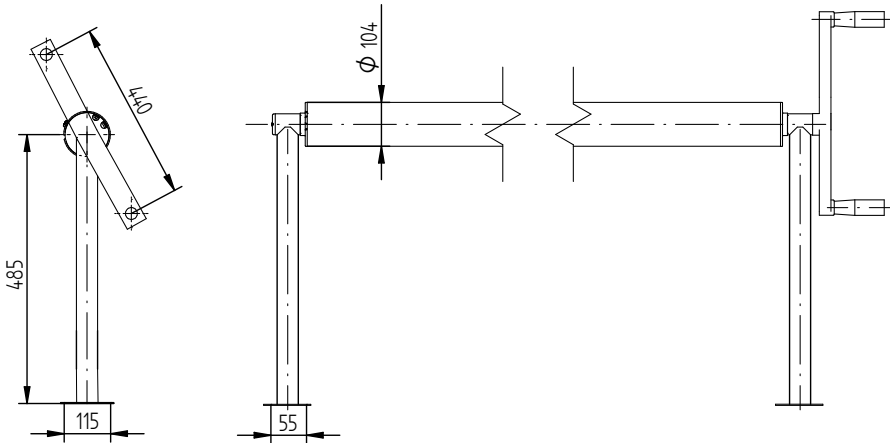
Z12-4001 Telescopic pole PLUS 3,2 - 5,0 m set (10 sets) 14 kg

Z12-4011 Telescopic pole PLUS 4,0 - 6,0 m set (12 sets) 17 kg

Z12-4021 Telescopic pole PLUS 6,0 - 8,0 m set (16 sets) 22 kg

Reel system fixed PLUS is suitable for public pools with water area up to 120 m². Alluminium telescopic reel poles have larger diameter and they are fixed with stainless steel profile. Fixed reel system provides ideal conditions for easy manipulation with the solar cover. Reel system is made of stainless steel DIN 1.4301, AISI-304. It is possible to order reel system together with pole as a package, or it's also possible to deliver each item separately.

Reel system is suitable for public pools up to 120 m².

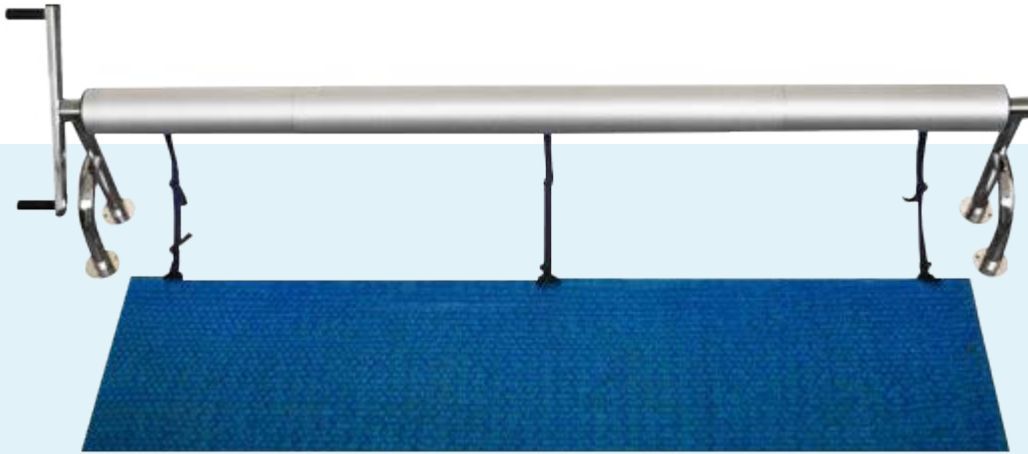


Set includes:

Stainless steel stand, telescopic pole, stainless steel bolts for securing anodized pole, set of straps and clips for fastening the solar cover, set of dowels and screws for fixing the reel system.

It's also possible to order additional items - more details on **page 62**.

REEL SYSTEM FIXED ON THE WALL PLUS



Reel system fixed PLUS is suitable for public pools with water area up to 120 m². Alluminium telescopic reel poles have larger diameter and they are fixed with stainless steel profile. Suitable for pools which are close to the wall. Fixed reel system provides ideal conditions for easy manipulation with the solar cover. Reel system is made of stainless steel DIN 1.4301, AISI-304. It is possible to order reel system together with pole as a package, or it's also possible to deliver each item separately.

Reel system is suitable for public pools up to 120 m².

Set includes:

Stainless steel stand, telescopic pole, stainless steel bolts for securing anodized pole, set of straps and clips for fastening the solar cover, set of dowels and screws for fixing the reel system.

It's also possible to order additional items - more details on [page 62](#).

Code

Z12-0401 Stainless steel reel system PLUS fixed on the wall R, telescopic pole 3,2 - 5,0 (10 sets) 18 kg

Z12-0402 Stainless steel reel system PLUS fixed on the wall L, telescopic pole 3,2 - 5,0 (10 sets) 18 kg

Z12-0403 Stainless steel reel system PLUS fixed on the wall R, telescopic pole 4,6 - 6,0 (12 sets) 21 kg

Z12-0404 Stainless steel reel system PLUS fixed on the wall L, telescopic pole 4,6 - 6,0 (12 sets) 21 kg

Z12-0405 Stainless steel reel system PLUS fixed on the wall R, telescopic pole 6,0 - 8,0 (16 sets) 26 kg

Z12-0406 Stainless steel reel system PLUS fixed on the wall L, telescopic pole 6,0 - 8,0 (16 sets) 26 kg

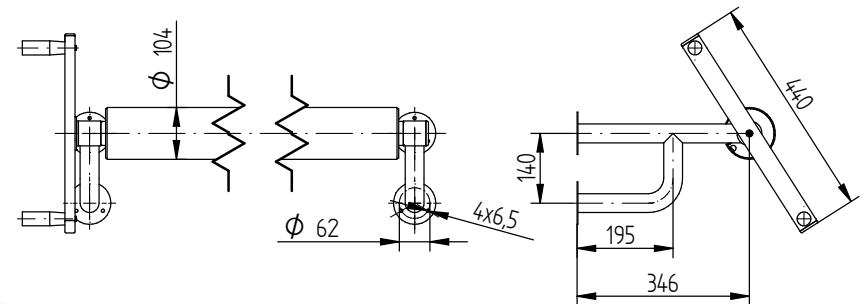
Z12-2401 Stainless steel reel system PLUS fixed on the wall R, stainless steel stands 4 kg

Z12-2402 Stainless steel reel system PLUS fixed on the wall L, stainless steel stands 4 kg

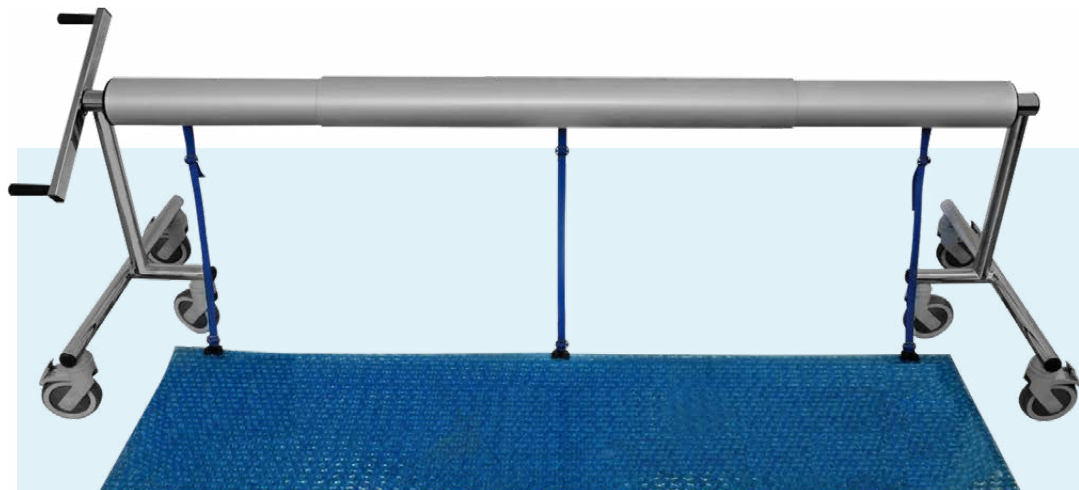
Z12-4001 Telescopic pole PLUS 3,2 - 5,0 m set (10 sets) 14 kg

Z12-4011 Telescopic pole PLUS 4,6 - 6,0 m set (12 sets) 17 kg

Z12-4021 Telescopic pole PLUS 6,0 - 8,0 m set (16 sets) 22 kg



REEL SYSTEM MOBILE PLUS



Reel system fixed PLUS is suitable for public pools with water area up to 120 m². Aluminium telescopic reel poles have larger diameter and they are fixed with stainless steel profile. Mobile reel system provides ideal conditions for easy manipulation and after rolling the cover it's possible to move with entire system to another place easily thanks to the plastic wheels on stand. Fixed reel system provides ideal conditions for easy manipulation with the solar cover. Reel system is made of stainless steel DIN 1.4301, AISI-304. It is possible to order reel system together with pole as a package, or it's also possible to deliver each item separately.

Reel system is suitable for public pools up to 120 m².

Code

Z12-0201 Stainless steel reel system PLUS mobile – set - telescopic pole 3,2 - 5,0 (10 sets) 25,5 kg

Z12-0204 Stainless steel reel system PLUS mobile – set - telescopic pole 4,0 - 6,0 (12 sets) 28,5 kg

Z12-0207 Stainless steel reel system PLUS mobile – set - telescopic pole 6,0 - 8,0 (16 sets) 33,5 kg

Z12-2201 Stainless steel reel system PLUS mobile - stainless steel stands 11,5 kg

Z12-4111 Telescopic pole PLUS 3,2 - 5,0 m set (10 sets) 14 kg

Z12-4121 Telescopic pole PLUS 4,0 - 6,7 m set (12 sets) 17 kg

Z12-4131 Telescopic pole PLUS 6,0 - 8,0 m set (16 sets) 22 kg

Z12-4002 Spreader rod telescopic 3,2 - 5,0 m plus 8,5 kg

Z12-4012 Spreader rod telescopic 4,0 - 6,0 m plus 9,7 kg

Z12-4022 Spreader rod telescopic 6,0 - 8,0 m plus 10,5 kg

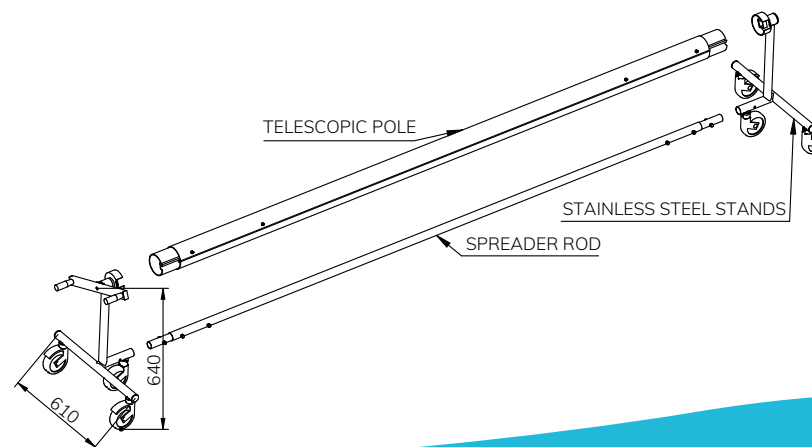
Set includes:

Stainless steel stand, telescopic pole, stainless steel bolts for securing anodized pole, set of straps and clips for fastening the solar cover, set of dowels and screws for fixing the reel system.

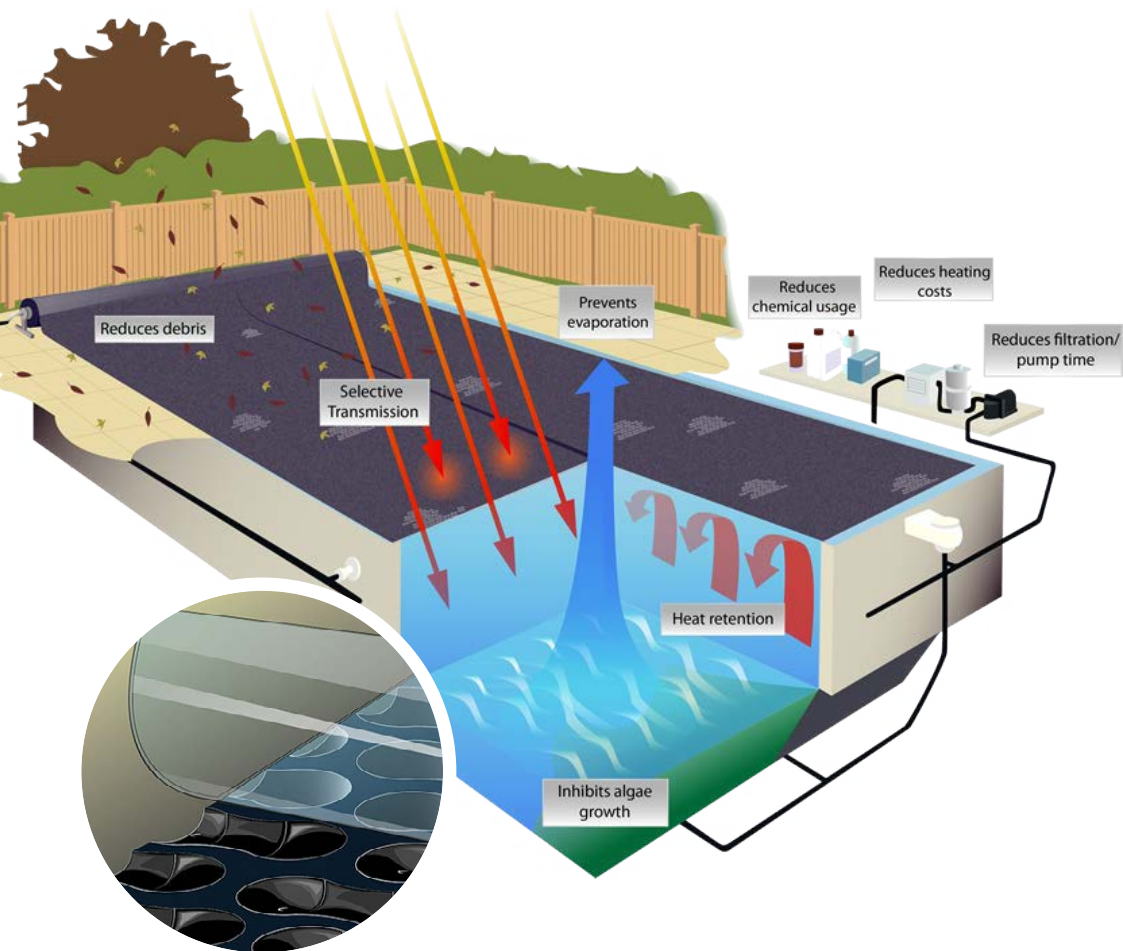
It's also possible to order additional items - more details on **page 62**.

Set does not include:

The spreader rod is not part of the reel system PLUS mobile set. In case of greater load and frequent handling with the reel system, it is possible to purchase a spreader rod for strengthening.



SOLAR COVER



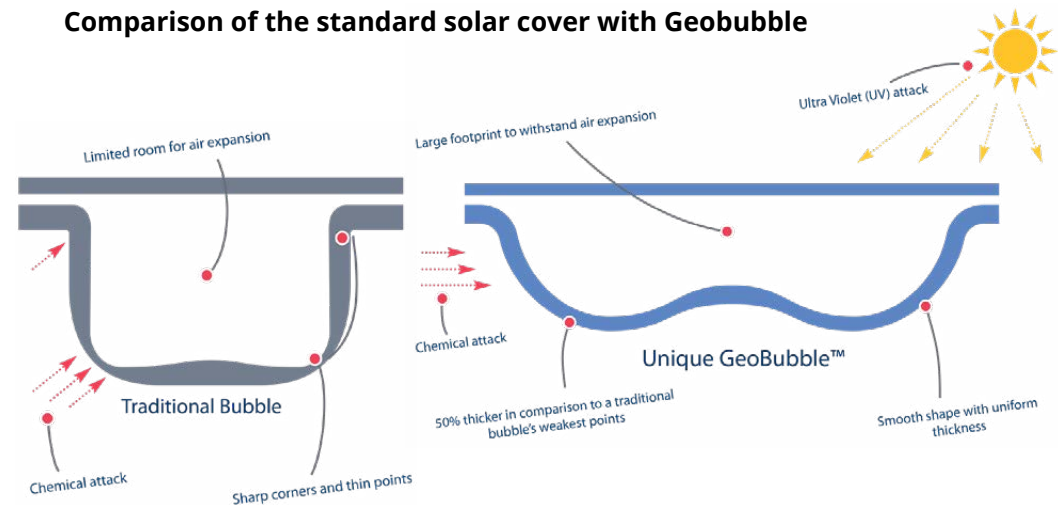
Advantages of using Geobubble solar covers:

- eliminate water evaporation by 98 %
- inhibits Algae growth
- energy Consumption is reduced
- reduce the carbon footprint of your pool

Unikátní dvoj bublina GeoBubble

- no sharp corners that could result in thin or weak points in the design
- no stress points due to the bubble's smooth interconnected curves
- 50% thicker than a traditional swimming pool bubble cover material at its thinnest point
- increased resilience against UV rays and chemical attack

Comparison of the standard solar cover with Geobubble

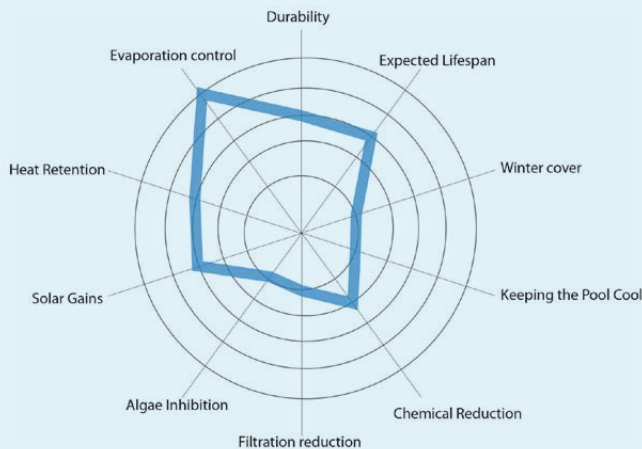


SOLAR COVER **GEOBUBBLE**

GeoBubble™

GeoBubble™ technology is an innovative, patented swimming pool bubble cover material. Using a bubble profile scientifically designed to increase the expected lifespan of the swimming pool bubble cover by 25%

- 50% thicker than a traditional swimming pool bubble cover material at its thinnest point
- increased resilience against UV rays and chemical attack

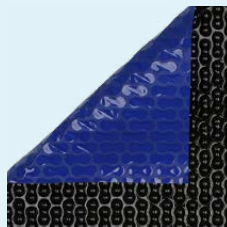


LIGHT BLUE

Code

- Z05-2001 Solar cover 400 mic. 3 m
- Z05-2002 Solar cover 400 mic. 3,5 m
- Z05-2003 Solar cover 400 mic. 4 m
- Z05-2004 Solar cover 400 mic. 4,5 m

- Z05-2005 Solar cover 400 mic. 5 m
- Z05-2006 Solar cover 400 mic. 5,5 m
- Z05-2007 Solar cover 400 mic. 6 m

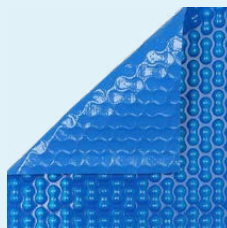


BLUE/BLACK

Code

- Z05-4001 Solar cover 400 mic. 3 m
- Z05-4002 Solar cover 400 mic. 3,5 m
- Z05-4003 Solar cover 400 mic. 4 m
- Z05-4004 Solar cover 400 mic. 4,5 m

- Z05-4005 Solar cover 400 mic. 5 m
- Z05-4006 Solar cover 400 mic. 5,5 m
- Z05-4007 Solar cover 400 mic. 6 m



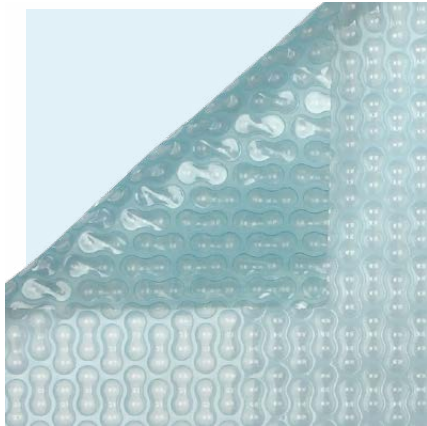
DARK BLUE

Code

- Z05-7103 Solar cover 500 mic. 3 m
- Z05-7104 Solar cover 500 mic. 3,5 m
- Z05-7105 Solar cover 500 mic. 4 m
- Z05-7106 Solar cover 500 mic. 4,5 m

- Z05-7107 Solar cover 500 mic. 5 m
- Z05-7108 Solar cover 500 mic. 5,5 m
- Z05-7109 Solar cover 500 mic. 6 m

SOLAR COVER SOL+GUARD

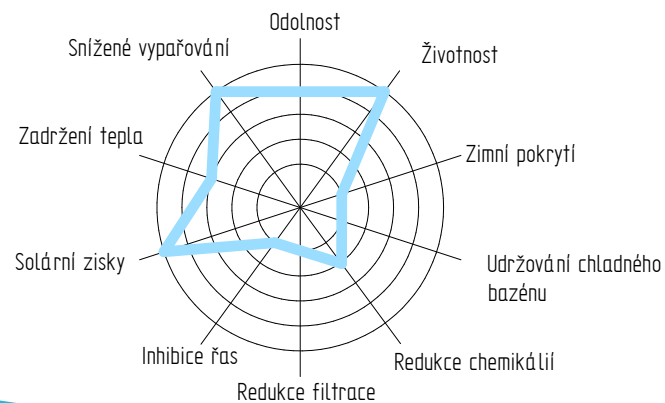


Code

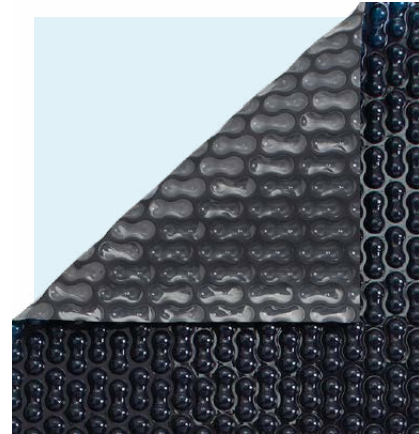
- Z05-3001 Solar cover 500 mic. 3 m
- Z05-3002 Solar cover 500 mic. 3,5 m
- Z05-3003 Solar cover 500 mic. 4 m
- Z05-3004 Solar cover 500 mic. 4,5 m
- Z05-3005 Solar cover 500 mic. 5 m
- Z05-3006 Solar cover 500 mic. 5,5 m
- Z05-3007 Solar cover 500 mic. 6 m

Transparent Sol + Guard™

- increase the swimming pool temperature by up to 8 °C
- chemical consumption is reduced up to 40 %
- energy consumption is reduced by over 70 %
- money saving due to lower operation costs
- suitable for inner pools



SOLAR COVER ENERGYGUARD

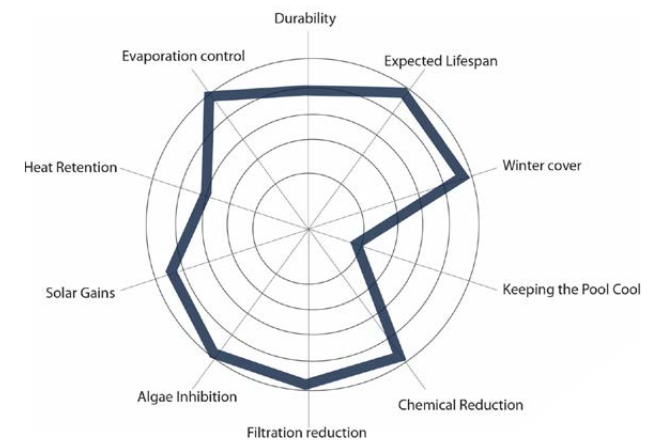


Code

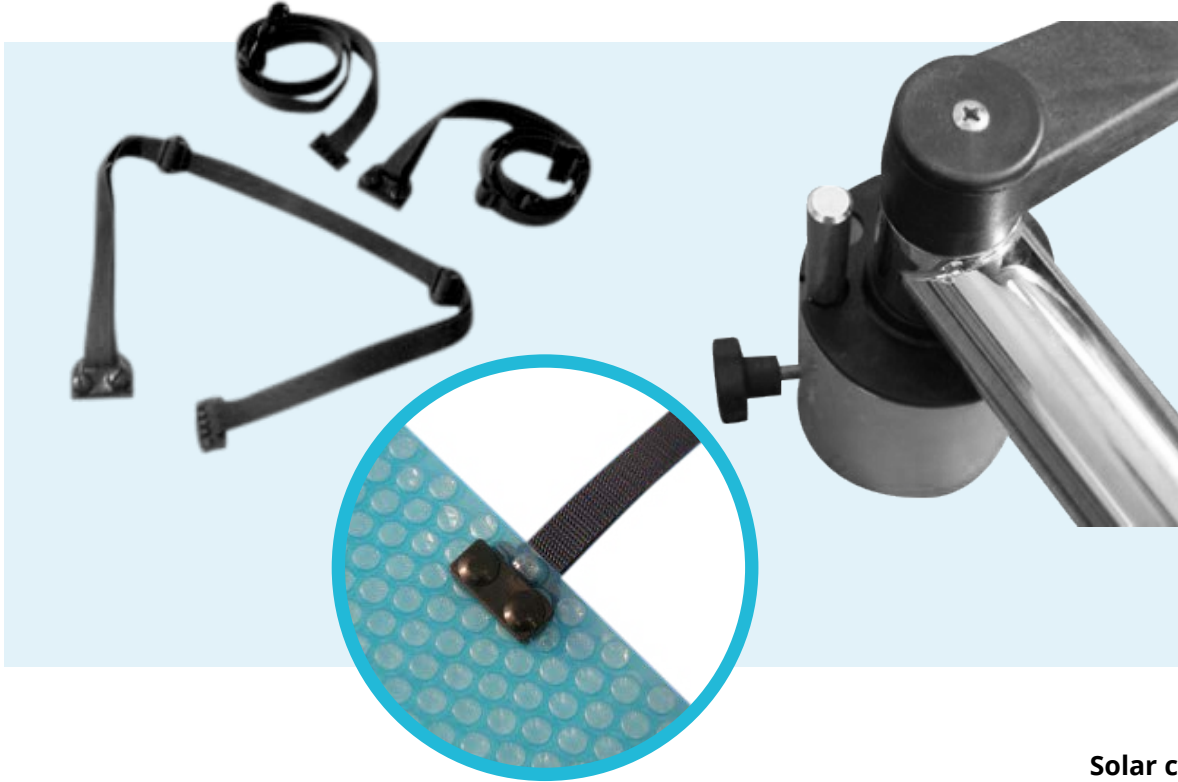
- Z05-5001 Solar cover 500 mic. 3 m
- Z05-5002 Solar cover 500 mic. 3,5 m
- Z05-5003 Solar cover 500 mic. 4 m
- Z05-5004 Solar cover 500 mic. 4,5 m

Black EnergyGuard™

- increase the swimming pool temperature by up to 7 °C
- inhibits Algae growth
- reduce Pump/Filtration time by up to 50 %
- chemical consumption is reduced up to 60 %
- save Money
- can be used as a winter pool cover



ACCESSORIES FOR REEL SYSTEMS



Z10-8021 Fixing set

set of stripes and grips for easy fix of solar cover to the reel system.

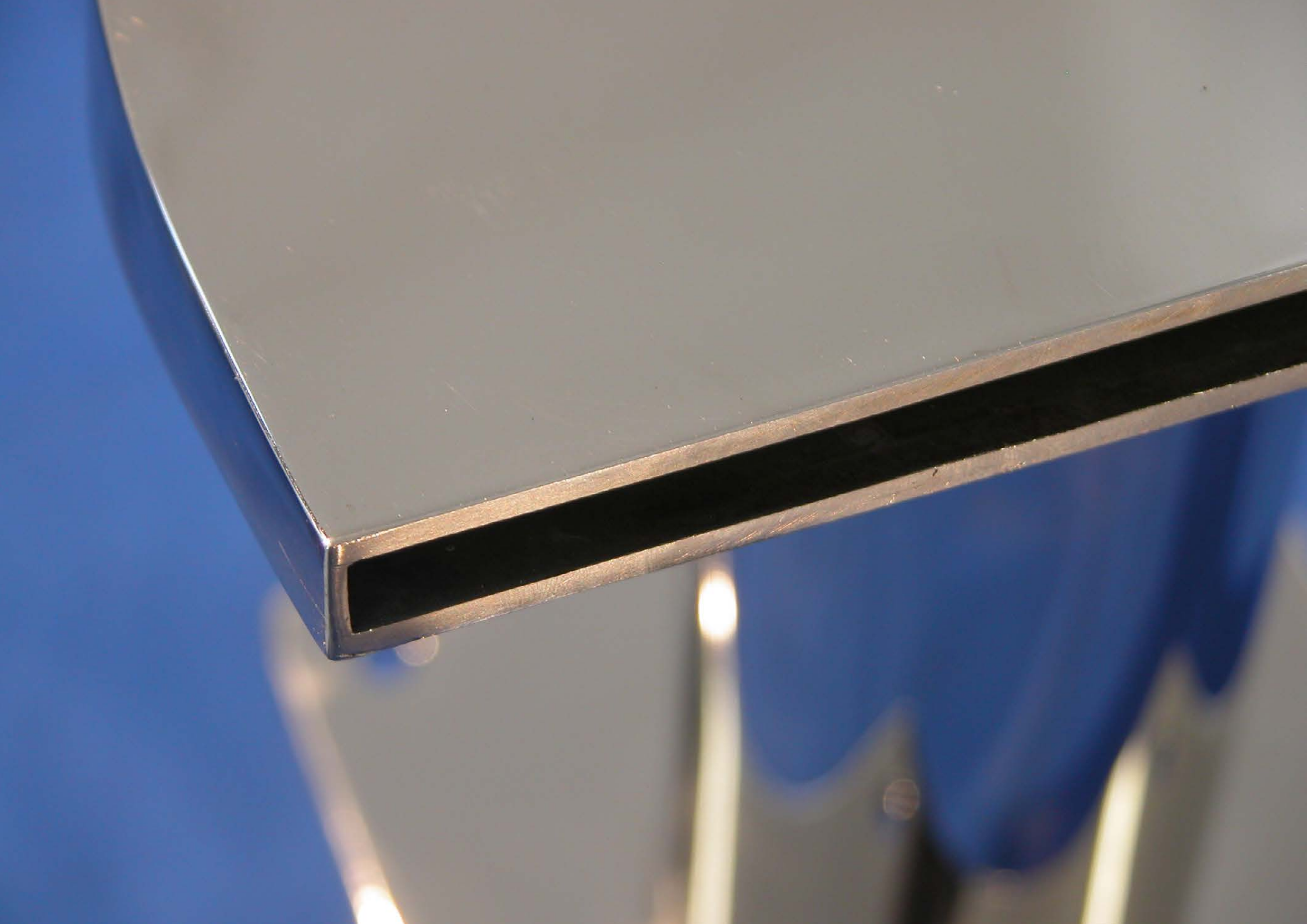
Z10-3601 Protecting case

protecting solar cover against sunshine when the cover is rolled up on the reel.

Solar cover

Suitable for every shape of pool. Solar cover fits to each reel system. Solar covers are delivered in rectangular shape. Customer has to cut the solar cover to the certain shape of pool directly on place to provide exact shape of the solar cover which would fit to the shape of pool.

See **page 60 and 61**.



OUR REFERENCES



Stainless steel swimming pool with cascade shower - Horni Pocernice (CZ)



Stainless steel cascade showers - Janske Lazne (CZ)



Cascade shower BOLETUS – Water Park Klanovice (CZ)



Stainless steel cascade showers LEO and SNAKE – private swimming pool Brno (CZ)



Bottom air massage CIRCULAR - Slatinany (CZ)



JUMING

CONTACT

Juming s.r.o.
Barakova 426
538 03 Hermanuv Mestec

PRODUCTION, WAREHOUSE, OFFICES

Svincany 159
535 01 Svincany

+420 601 221 203
juming@juming.cz

www.juming-inox.cz

www.juming.cz

